



Da Vinci & Distinction

LOG EFFECT BALANCED FLUE ROOM HEATER

Installation, Maintenance & User Instructions

Hand these instructions to the user

Model No. BDVLRN is for use on Natural Gas (G20) at a supply pressure of 20 mbar in G.B. / I.E.**

**** Denotes cosmetic variant**

CONTENTS

	PAGE
Section 1 Information and Requirements	
1.0 Appliance information	3
1.1 Conditions of installation	4
1.2 Fireplace surround & suitability	4
1.3 Flue terminal position	5
Section 2 Installation of Fire	
2.1 Unpacking the combustion chamber / surround / flue kit	6-7
2.2 Preparing the combustion chamber opening (In studded wall)	8
2.3 Preparing the combustion chamber opening (In chimney breast)	9-10
2.4 Installation of the gas supply	11
2.5 Specifying the flue system & components	12
2.6 Balanced flue in horizontal flue configuration	13-14
2.7 Balanced flue in vertical flue configuration	15
2.8 Balanced flue in vertical flue configuration (flat roof)	15-16
2.9 Balanced flue in vertical flue configuration (pitched roof)	17
2.10 Balanced flue utilising existing chimney	18-19
2.11 Securing the combustion chamber in the opening / fitting the closure plate	20
2.12 Setting hearth panel / surround legs / combustion chamber height	21-22
2.13 Installing the Da Vinci / Distinction surround design	23
2.14 Removal / Re-fitting the glass frame assembly	24-26
Section 3 Assembling Fuel Bed and Commissioning	
3.1 Fitting the fuel bed logset	27-32
3.2 Making the gas connection & checking for gas tightness	33
3.3 Fitting the correct size of restrictor plate	33
3.4 Replacing the glass assembly	34
3.5 Lighting the appliance	35-39
3.6 Fitting the handset wall bracket	39
3.7 Instruct user of fire operation	39
Section 4 Maintenance	
4.1 Removal of the burner assembly	40
4.2 Removal of the injector	40-41
4.3 Removal of the gas control valve / controls access cover	41
4.4 Removal of the ultrasonic receiver	42
4.5 Removal of the pilot assembly	42
4.6 Removal / Replacement of batteries in the Ultrasonic Receiver	42
4.7 Removal / Replacement of the handset battery	42
4.8 Parts shortlist	43
Section 5 User Instructions	
5.1 Installation Information / About your fire	44-45
5.2 Lighting the appliance	46-50
5.3 Cleaning instructions	50-53
5.4 Removing & replacing the logset	54-59
5.5 Replacing the glass assembly	60
5.6 User replaceable parts	61

Model number BDVLRN is manufactured by:-**

BFM Europe Ltd, Trentham Lakes, Stoke-on-Trent, Staffordshire, ST4 4TJ

SECTION 1 INFORMATION AND REQUIREMENTS

1.0 APPLIANCE INFORMATION

Main injector : (1 off)	Bray Injector Cat 82 – size 600
Pilot Type :	S.I.T. 140 Series – size 27
Max. Gross Heat Input :	8.7kW
Min. Gross Heat Input :	5.5 kW
Gas Rate :	0.799 m ³ /hr (High)
	0.511 m ³ /hr (Low)
Cold Pressure :	G20 20.0+/-1.0 mbar (8.0 +/- 0.4 in w.g.)
Ignition :	Via remote handset, integral to gas valve
Electrode Spark Gap :	4.0mm
NOx Level	Class 5
Packed Weight Combustion Chamber	57.0 kg (Pack 1 of 3)

Appliance Efficiency Declaration

The efficiency of this appliance has been measured as specified in BS EN 613 : 2001 and the result is 74%. The gross calorific value of the fuel has been used for this efficiency calculation. The test data from which it has been calculated has been certified by GL Industrial Services UK Ltd. The efficiency value may be used in the UK Government's Standard Assessment Procedure (SAP) for energy rating of dwellings.

Fig 1

Top View of Combustion Chamber

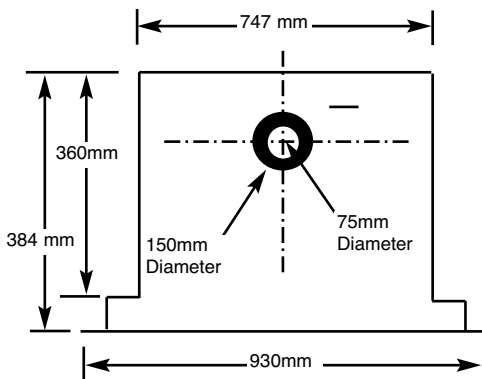
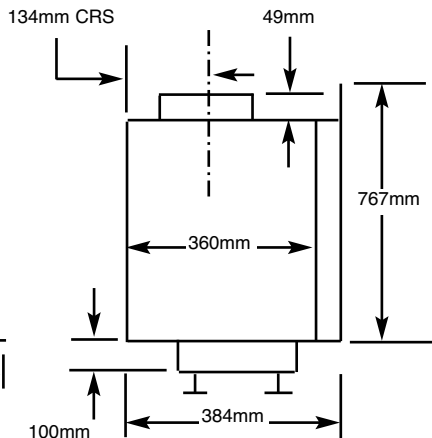


Fig. 2

Side View of Combustion Chamber



INSTALLATION REQUIREMENTS

1.1 CONDITIONS OF INSTALLATION

It is the law that all gas appliances are installed only by a GAS SAFE Registered Installer, in accordance with these installation instructions and the Gas Safety (Installation and Use) Regulations 1998 as amended. Failure to install appliances correctly could lead to prosecution. It is in your own interest and that of safety to comply with the law.

The installation must also be in accordance with all relevant parts of the Local and National Building Regulations where appropriate, the Building Regulations (Scotland Consolidation) issued by the Scottish Development Department, and all applicable requirements of the following British Standard Code of Practice.

1. B.S. 5871 Part 1 Installation of Gas Fires
2. B.S. 6891 Installation of Gas Pipework
3. B.S. 5440 Parts 1 & 2 Installation of Flues and Ventilation
4. I.S 813 : 1996 Domestic Gas Installation, issued by the National Standards Authority of Ireland.

1.2 FIREPLACE / SURROUND SUITABILITY

The fire must only be installed on a hearth it **must not be installed directly onto carpet or other combustible floor materials.**

The fire is suitable for fitting to non-combustible fire place surrounds and proprietary fire place surrounds with a temperature rating of at least 150⁰c.

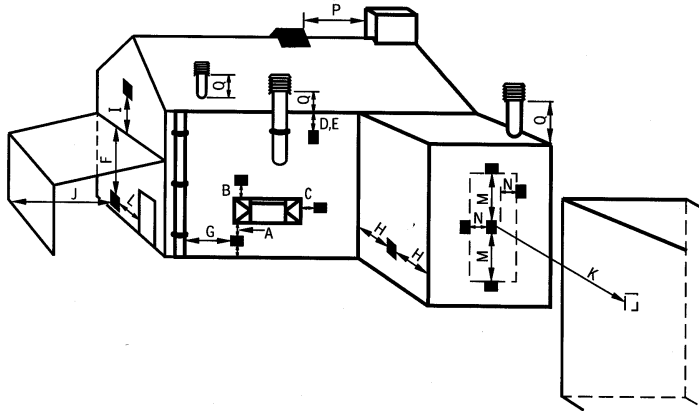
If a heating appliance is fitted directly against a wall combustible material must be removed from behind it. Soft wall coverings such as blown vinyl, wall paper etc. could be affected by the rising hot air and scorching and/or discoloration may result. Due consideration should be made to this when installing or decorating.

It is recommended that the product is only installed with surround designs available from BFM Europe Ltd, but should you choose to fit an alternative surround, please give consideration to accessibility for servicing requirements

1.3 FLUE TERMINAL POSITION

The minimum acceptable dimensions from the flue terminal to obstructions and ventilation openings are shown below and listed in the table. It is important that the position of the flue allows the free passage of air across it at all times. The minimum acceptable space from the flue terminal to obstructions and ventilation openings are specified below (Fig. 3)

Fig. 3



DIMENSION	TERMINAL POSITION	MINIMUM DIMENSION
A	Directly below an opening, air brick, opening window	300mm (12in)
B	Above an opening, air brick, opening window	300mm (12in)
C	Horizontally to an opening, air brick, opening window etc.	
D	Below gutters, soil pipes or drain pipes	300mm (12in)
E	Below eaves	300mm (12in)
F	Below balconies or car port roof	600mm (12in)
G	From a vertical drain pipe or soil pipe	300mm (12in)
H	From an internal or external corner	600mm (24in)
I	Above ground roof or balcony level	300mm (12in)
J	From a surface facing the terminal	600mm (24in)
K	From a terminal facing the terminal	600mm (24in)
L	From an opening in the car port	1200mm (48in)
M	Vertically from a terminal on the same wall	1500mm(59in)
N	Horizontally from a terminal on the same Wall	300mm (12in)
O	NOT APPLICABLE	N/A
P	NOT APPLICABLE	N/A
Q	NOT APPLICABLE	N/A

SECTION 2 INSTALLATION OF FIRE

2.1 UNPACKING THE COMPONENTS

Remove the loose item packaging carefully from the pack. Check the contents as listed :-

DO NOT UNDER ANY CIRCUMSTANCES USE THIS APPLIANCE IF THE GLASS PANEL IS BROKEN OR NOT SECURELY FIXED TO THE FIREBOX.

Packing Check List

Pack 1 of 3 - Combustion Chamber Pack

- | | | |
|-------|---|--|
| 1 off | Combustion chamber & glass frame assembly | |
| 1 off | Boxed ceramic fuel-bed set (packed inside combustion chamber) | |
| 1 off | Installation / user instruction manual | |
| 1 off | Top closure plate | |
| 1 off | Loose items pack – containing :- | 1 off 9V battery, 4 off 1.5V batteries
Remote handset, 4 off M5 locknuts
3 off restrictor plates & fixing screws
1 off handset wall brkt (inc. fixings)
1 off glass removal tool |

Pack 2 of 3 - Horizontal Balanced Flue System Pack

- | | | | |
|-------|-----------------|-------|--------------------------|
| 1 off | Adaptor | 1 off | 0.5m length of flue |
| 1 off | 90 degree elbow | 1 off | Horizontal wall terminal |
| 2 off | Locking bands | 1 off | Protection band |

or

Pack 2 of 3 - Chimney Conversion Kit

- | | | | |
|-------|----------------|-------|---------------------|
| 1 off | Adaptor | 1 off | 1.0m length of flue |
| 1 off | Renovation kit | 1 off | Vertical terminal |
| 1 off | Locking band | | |

or

Pack 2 of 3 - Vertical Flue Kit

- | | | | |
|-------|---------|-------|-------------------|
| 1 off | Adaptor | 1 off | Vertical terminal |
|-------|---------|-------|-------------------|

In addition, all flue lengths, roof flashing, clamps and accessories as required by the individual flue system design should be purchased as required from the manufacturer, contact details as per overpage

Carefully lift the surround components out of the wooden crate. Remove the loose item packaging carefully from the pack. Check the contents as listed below :-

Pack 3 of 3 - Da Vinci Surround

1 off	Hearth	1 off L/H leg
1 off	Shelf	1 off R/H leg
1 off	Top infill	1 off Controls access panel
1 off	Shelf infill section	

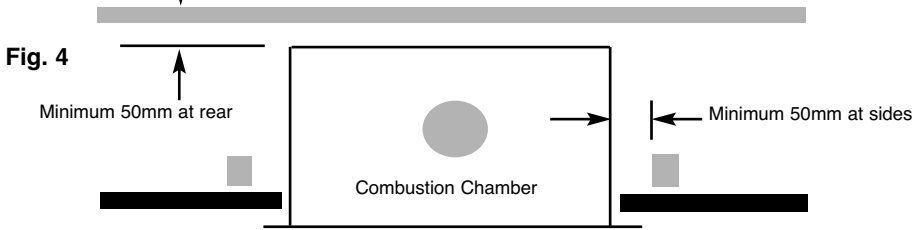
or

Pack 3 of 3 - Distinction Surround

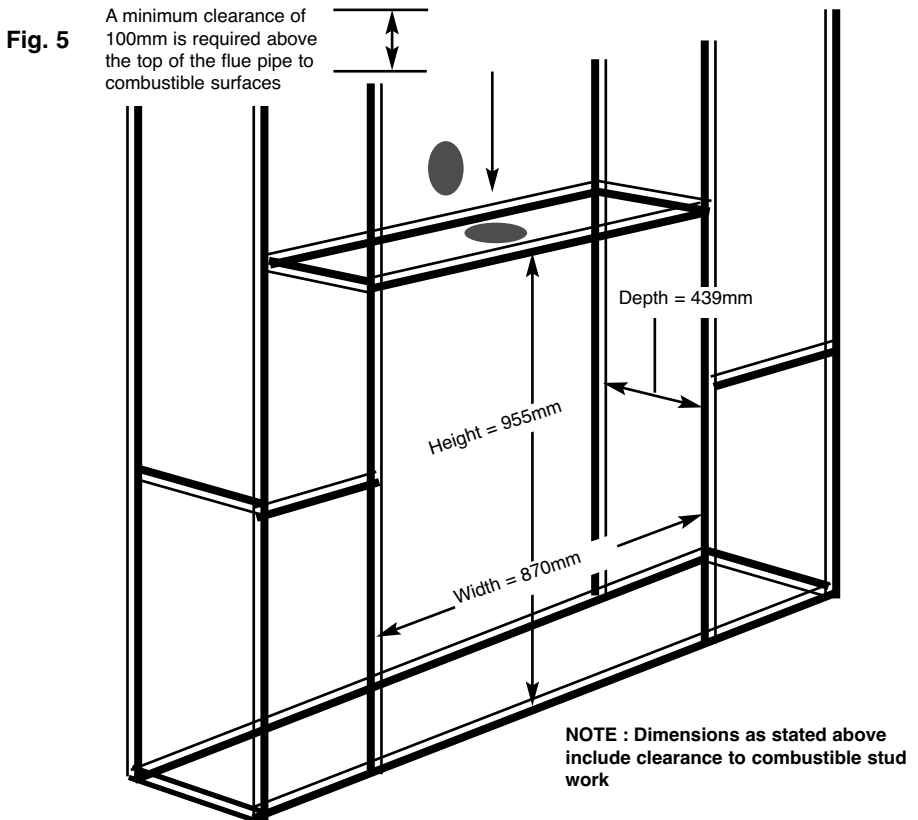
1 off	Hearth	1 off L/H leg
1 off	Shelf	1 off R/H leg
1 off	Top infill	1 off Controls access panel
1 off	Shelf infill section	

2.2 PREPARATION OF THE COMBUSTION CHAMBER OPENING (INTO STUDDED WALL)

All combustible parts of the studwork must be set at the distances as shown below in Fig. 4 & 5.



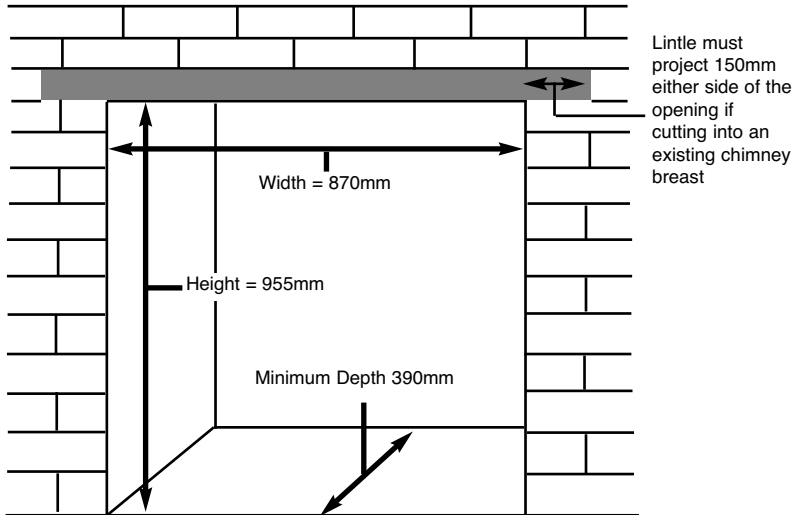
Refer to Fig. 1 on page three for dimensions of the flue outlet.



2.3 PREPARATION OF THE COMBUSTION CHAMBER OPENING (INTO EXISTING CHIMNEY BREAST)

An opening should be constructed to the following dimensions in the existing chimney breast.

Fig. 5



The opening needs to be sufficient to accommodate the combustion chamber. To support the wall above the opening, a suitable lintel must be inserted across the top of the opening. The lintel could be either pre-cast concrete or steel - Catnic CN52 or CN 46 could be used, depending upon the inner wall thickness. Before proceeding with the installation of the fire, an assessment of the area immediately above the fire is required, see Fig. 9 overpage. If there is no existing openings within either triangle, proceed with forming the opening. However, if opening or beams occur within either triangle, then you should seek specialist advice from a structural engineer or consider relocating the proposed position of the firebox.

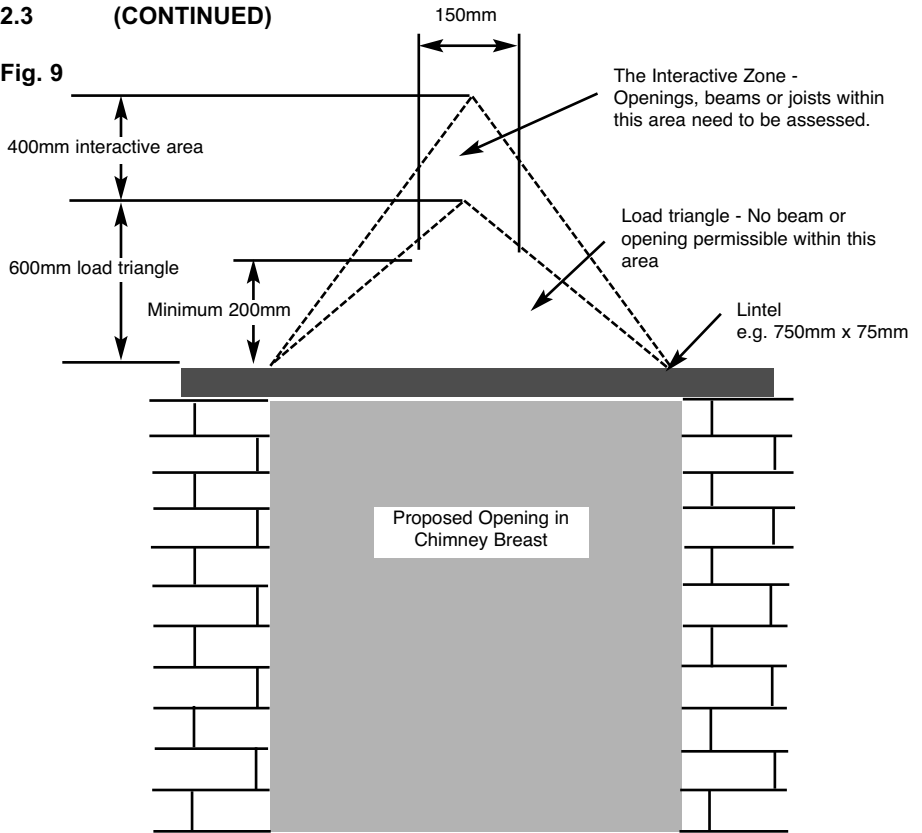
NOTE : Please ensure that suitable cut outs in the sides and front face of the chimney breast are implemented for fixing of the flue pipe, and for future servicing.

The appliance must be sited on a non combustible base. The appliance can be placed onto a combustible material providing a heatproof board such as superlux of minimum 15mm thickness or similar is placed under it.

IMPORTANT : Any air supply to the fireplace opening must be sealed off

2.3 (CONTINUED)

Fig. 9

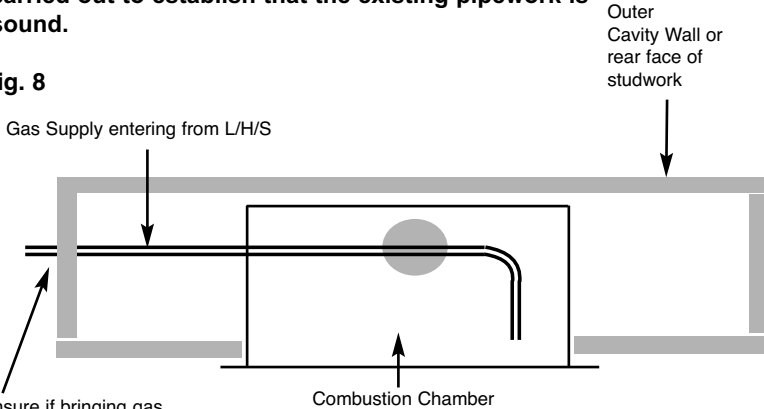


2.4 INSTALLATION OF THE GAS SUPPLY (INTO STUDDED WALL OR EXISTING CHIMNEY BREAST)

Before installing the combustion chamber, decide from which side or if a rear connection to the gas supply is required. Plan the pipe run to enter the below the firebox from the left, right or rear and connect to the inlet elbow. See Fig. 8, 9 & 10 below.

Note : Before breaking into the gas supply a gas tightness test should be carried out to establish that the existing pipework is sound.

Fig. 8



Ensure if bringing gas supply through side or rear of a chimney breast that the pipe is sleeved and sealed with a suitable flexible, non setting compound

Gas Supply entering from Rear of Combustion Chamber

Fig. 9

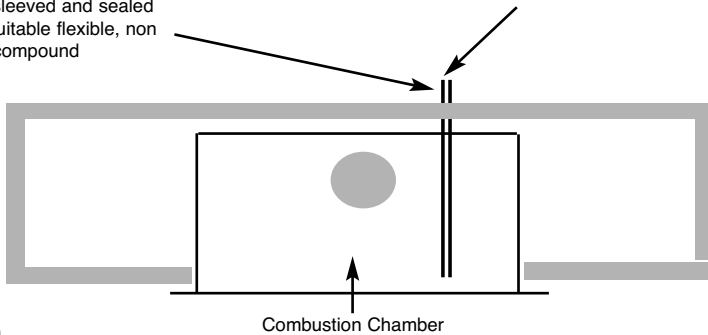
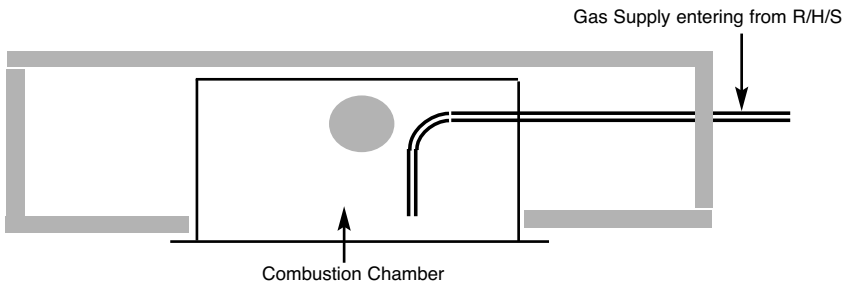


Fig. 10



2.5 SPECIFYING THE FLUE SYSTEM & ASSOCIATED COMPONENTS

This product comes with the optional of 3 methods of flueing :-

Decide upon the method of flue that is most suitable for the property in which you are installing the product, from the following options :-

2.5.1 Balanced Flue in Horizontal Configuration

This flueing method uses a 0.5 metre vertical pipe starter pipe section, then utilises a 90 degree elbow and a terminal section to provide a horizontal pipe from 324mm (minimum) up to 469mm (maximum). Additional flue duct can then be purchased to allow installation up to a maximum wall thickness of 1554mm. The flue can be installed to terminate directly out the wall behind the appliance or at the L/H side or R/H side by rotating the elbow section. If the terminal is fitted below 2m from ground level, a terminal guard must be fitted in England & Wales. BFM Europe supply a suitable guard in the Horizontal Flue Kit. See section 2.6

2.5.2 Balanced Flue in Vertical Configuration

This flueing method utilises a rigid interlocking balanced flue duct to enable a vertical balanced flue system to be used. All components required are supplied within the flue kit with the exception of the lengths of co-axial pipe which is dependent upon the individual installation. This method is most suited when a false chimney breast is being constructed due to no chimney / insufficient depth and an outside wall is not available. See section 2.7

2.5.3 Balanced Flue Utilising Existing Chimney

This flueing method uses a 4" / 100mm flexible flue liner fitted into an existing chimney breast, with a specially designed flue termination fitted to the top of the chimney. All components required are supplied within the flue kit with the exception of the 4" / 100mm flexible flue liner, which is dependent upon the individual installation. Please ensure any flexible flue liner used is rated to T400. This method is most suited when an existing chimney breast is available that is in good condition and has sufficient depth to accept the product. See section 2.8

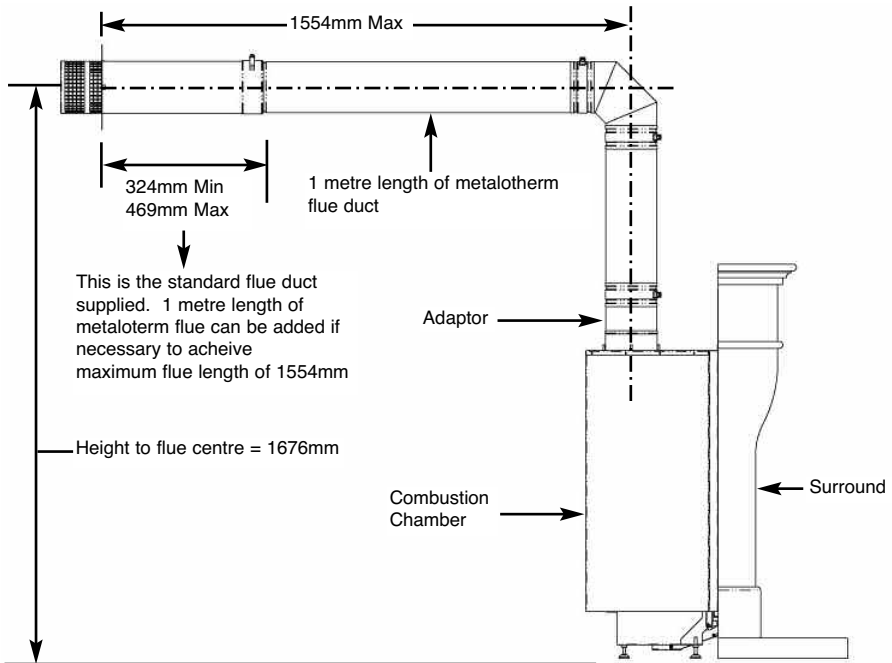
If you require to purchase any additional flue components, please contact the UK distributor for Metaloterm products, contact details as below :-

H Docherty Ltd
Unit 15 &16 Colthrop Business Park
Colthrop Lane
Thatcham
Berkshire
RG19 4NB
Tel : 0845 6031715 Fax : 01635 201737

2.6 BALANCED FLUE IN HORIZONTAL CONFIGURATION

2.6.1 Horizontal balanced flue configuration and components identified as shown below in Fig. 11

Fig. 11



PLEASE NOTE : THE FLUE TERMINAL SHOULD BE FITTED WITH THE WELDED JOIN LINE AT THE BOTTOM, FACING THE GROUND

2.6 BALANCED FLUE IN HORIZONTAL CONFIGURATION (CONTINUED)

- 2.6.2 Mark the position of the centre of the flue on the inner wall. (See Fig. 11 on previous page for position).
- 2.6.3 Cut hole for outer flue pipe. There are two possible methods to achieve this, either core drill or via hammer and chisel.
- 2.6.4 To core drill, proceed as follows :-
- 2.6.5 Drill a pilot hole through the wall, in position as specified in Fig 11 on previous page.
- 2.6.6 Using a 6" core drill, drill the flue hole.
- 2.6.7 To Hammer and chisel, proceed as follows :-
- 2.6.8 Mark the position of the centre of the flue pipe as specified in Fig 11.
- 2.6.9 Mark the position of the hole around this point.
- 2.6.10 Chisel out the area as marked on the wall.
- 2.6.11 We then recommend that a cardboard cylinder is placed around the flue pipe and inserted in the chiselled out hole whilst making good. A wall plate is provided on the flue duct to seal the terminal around the flue pipe opening and make good.

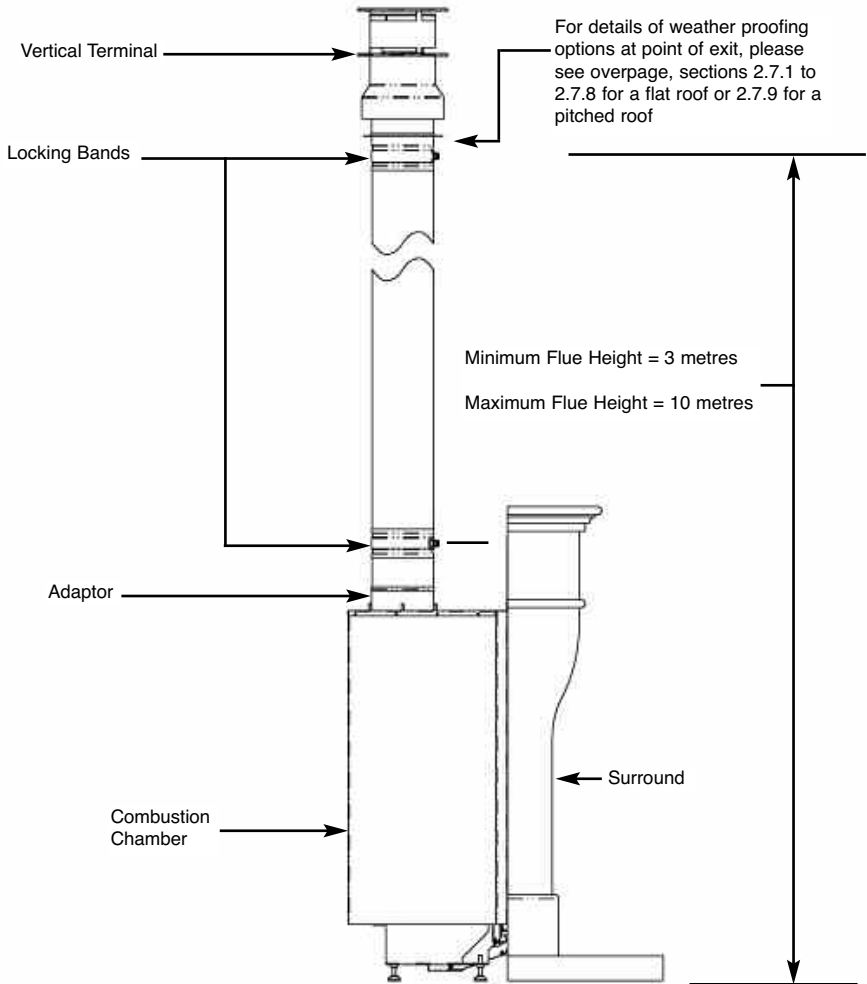
Please ensure all joints are taped with suitable high temperature tape when assembling the flue pipe sections together.

NOTE :- If the appliance is to be installed into a building under construction, it is recommended that a non-corrosive metal tube of 6" diameter be inserted into the position of the hole as specified on page 13.

2.7 BALANCED FLUE IN VERTICAL CONFIGURATION

2.7.1 Vertical flue configuration and components identified as shown below in Fig. 12

Fig. 12



2.8 BALANCED FLUE IN VERTICAL CONFIGURATION (FLAT ROOF)

2.8.2 Determine the position of the flue run within the property and the termination position is correct in accordance with BS 5440. Ensure that clearances to combustible surfaces (50mm minimum) are sufficient where the flue run may come within close contact of joists etc.

2.8.3 For a flat roof installation the following components will need to be ordered from Metaloterm :-

USMPG10	Mounting plate
USKB10	Locking band
US100-10/50-10/25-10	Concentric flue - quantity required dependent upon flue height required
USDP10	Flat roof flashing
USSR10	Storm collar

2.8.4 To install the flue system therefore, make hole in roof, install the mounting plate (USMPG10) underneath the roof and secure with screws. (See Fig. 13 below)

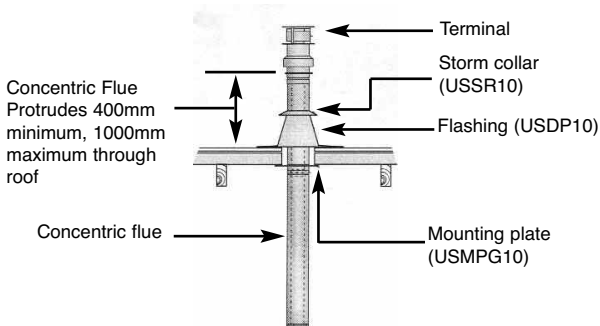
2.8.5 Place a locking band (USKB10) in the mounting plate (USMPG10) Put the concentric flue US100-10/50-10/25-10 through the mounting plate and locking band until it protrudes by 400mm min, 1000mm max through the roof. Fix the flat roof flashing (USDP10) over the flue and fix it to the flat roof. See Fig. 13 below. Please ensure all joints are taped with suitable high temperature tape when assembling the flue pipe sections together.

2.8.6 Seal the opening between the flue and flashing with silicone rubber and a storm collar (USSR10). See Fig. 13 below

2.8.7 Install the terminal (contained within the terminal kit requested at point of order from BFM Europe Ltd.) with a locking band and fix with 3 nuts.

2.8.8 Finish the roof covering over the flashing and weatherproof. Refer to section 3.3 to fit the correct restrictor plate to the fire.

Fig. 13



2.9 BALANCED FLUE IN VERTICAL CONFIGURATION (PITCHED ROOF)

2.9.1 Determine the position of the flue run within the property and the termination position is correct in accordance with BS 5440. Ensure that clearances to combustible surfaces (50mm minimum) are sufficient where the flue run may come within close contact of joists etc.

2.9.2 For a pitched roof installation the following components will need to be ordered from Metaloterm :-

USCP10	Cover plates (pair)
USKB10	Locking band
US100-10/50-10/25-10	Concentric flue - quantity required dependent upon flue height required
or	
USDH10	Slope roof flashing
USLS10	Lead slope roof flashing
USSR10	Storm collar
USDQ10	Roof support

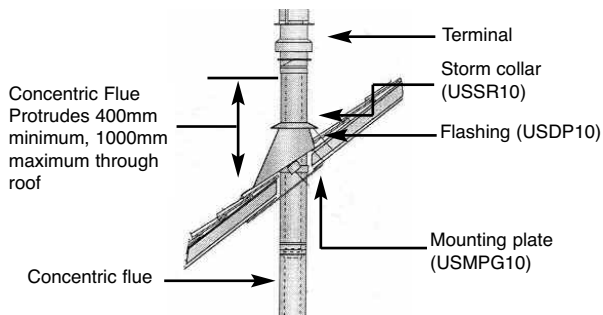
2.9.3 To install the flue system therefore, make hole in roof, install the pair of cover plates (USCP10) underneath the roof, put the concentric flue US100-10/50-10/25-10 through the mounting plate and locking band until it protrudes by 400mm min, 1000mm max through the roof. Centre the flue and secure with the roof support (USDQ10) and screws. (See Fig. 14 below) Please ensure all joints are taped with suitable high temperature tape when assembling the flue pipe sections together.

2.9.4 Put the slope roof flashing USDH10 (or in the case of a tiled roof the lead flashing USLS10) over the flue and make a weather proof finish. Seal the opening flue and flashing with the silicone rubber and the storm collar (USSR10).

2.9.5 Install the terminal (contained within the terminal kit requested at point of order from BFM Europe Ltd.) with a locking band and fix with 3 nuts.

2.9.6 Finish the roof covering over the flashing and weatherproof. Refer to section 3.3 to fit the correct restrictor plate to the fire.

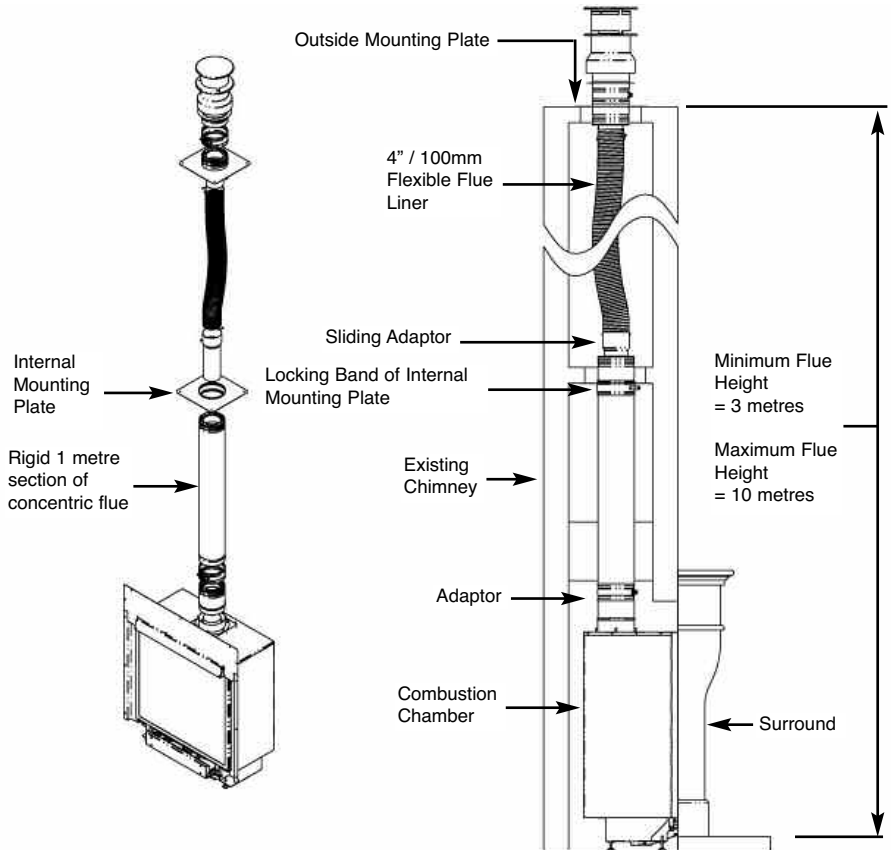
Fig. 14



2.10 BALANCED FLUE UTILISING EXISTING CHIMNEY

Vertical flue configuration and components identified as shown below in Fig. 15 for installation into an existing chimney.

Fig. 15



NOTE : The existing chimney must have a minimum cross-sectional area of $22,500\text{mm}^2$ to provide sufficient air flow to fit the chimney conversion kit.

2.10 BALANCED FLUE UTILISING EXISTING CHIMNEY (CONTINUED)

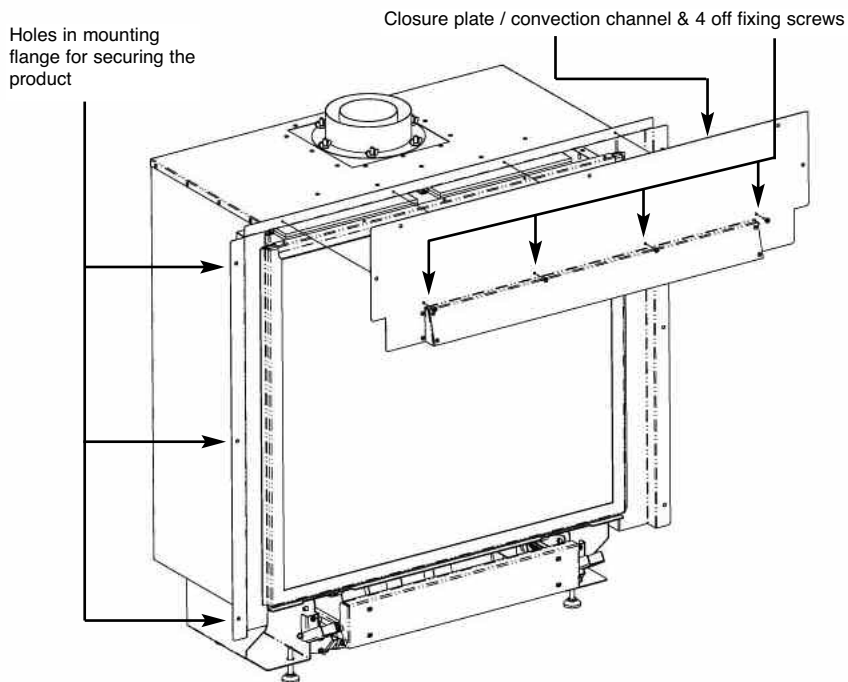
- 2.10.1 Check the soundness of the chimney to ensure that there are no leaks or remedial work required. Sweep the chimney if necessary.
- 2.10.2 Feed the 4" / 100mm flue liner through the chimney.
- 2.10.3 Attach the sliding adaptor to the bottom of the flexible liner and secure with the 2 off screws provided. (See Fig. 15 on previous page)
- 2.10.4 At the top of the chimney, attach the outside mounting plate with a hose clip to the flexible liner and secure with 2 off screws (See Fig. 15 on previous page).
- 2.10.5 Fasten the outside mounting plate securely with stainless steel screws and weatherproof as necessary.
- 2.10.6 Fix the terminal in position with a locking band and 3 off bolts. The sliding adaptor should now protrude 100mm below the bottom of the chimney opening.(See Fig. 15 on previous page).
- 2.10.7 Attach the internal mounting plate to the bottom part of the chimney and seal with suitable high temperature sealant.
- 2.10.8 Install the Da Vinci or Distinction product and fit with a minimum 1 metre rigid section of Metaloterm concentric flue (as supplied with the existing chimney flue kit by BFM Europe).
- 2.10.9 Finally tighten the locking band of the internal mounting plate. (See Fig. 15 on previous page).
- 2.10.10 Refer to section 3.3 to fit the correct restrictor plate to the fire. Fitting of the correct restrictor plate is mandatory otherwise performance issues with the product will be found.

NOTE : The concentric flue must extend a minimum of 100mm into the existing chimney (past the internal mounting plate and please ensure all joints are taped with suitable high temperature tape when assembling the flue pipe sections together.

2.11 SECURING THE COMBUSTION CHAMBER IN THE OPENING / FITTING THE CLOSURE PLATE / CONVECTION CHANNEL

- 2.11.1 The product is supplied with a closure plate to assist in sealing off the top of the opening, and providing access to the flue connection on the top of the fire. The closure plate / convection channel is secured via 4 off screws (fitted to the product during manufacture). See Fig. 16 below
- 2.11.2 The product is also supplied with 6 off fixing holes in the mounting flange to secure the product to the fireplace opening, although due to the weight of the product these fixings are not mandatory. See Fig. 16 below

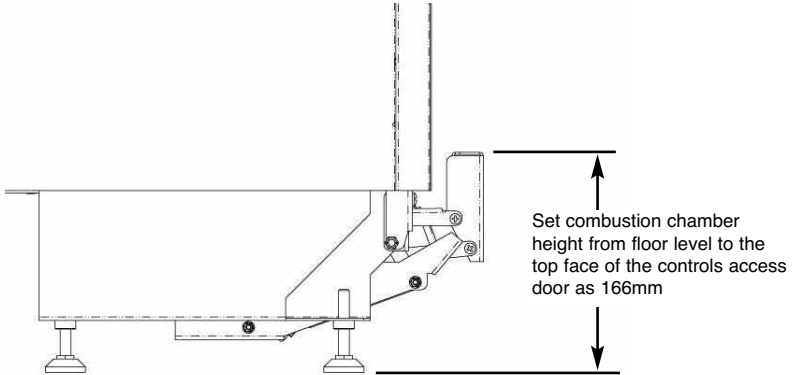
Fig. 16



2.12 SETTING THE COMBUSTION CHAMBER HEIGHT TO INSTALL THE SURROUND AND CENTRALISING THE SURROUND LEGS.

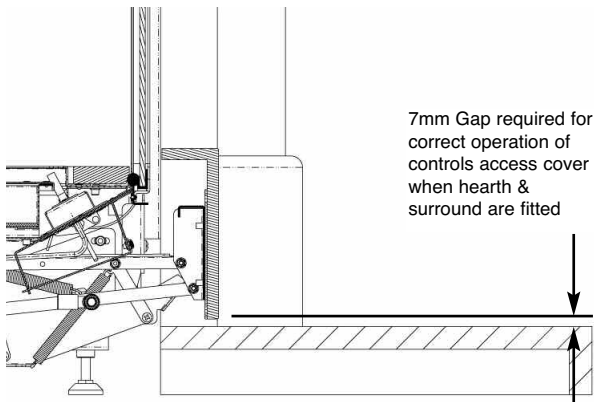
2.12.1 In order to ensure that the combustion chamber is at the right height to allow the controls access panel to open and close correctly, it is necessary to adjust the height of the combustion chamber as shown below in Fig. 17. Adjust via the screw in legs until level left to right and back to front.

Fig. 17



2.12.2 With the 166mm dimension set as indicated, a gap of 7mm below the controls access cover (when fitted) will then be achieved to allow correct functioning of the controls access cover hinged mechanism, when the hearth and surround are subsequently fitted. See Fig. 18 below. It is recommended to offer up the hearth and access panel to check fit before final positioning due to manufacturing tolerances.

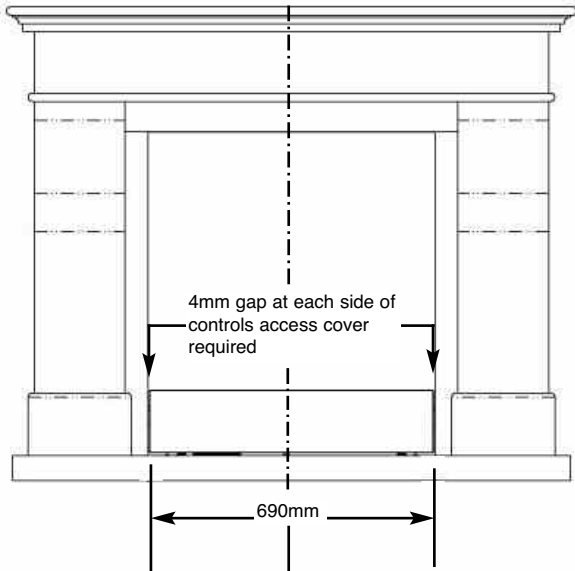
Fig. 18



2.12 SETTING THE COMBUSTION CHAMBER HEIGHT TO INSTALL THE SURROUND AND CENTRALISING THE SURROUND LEGS. (CONTINUED)

2.12.3 In order to ensure that controls access cover does not bind on the surround legs, it also necessary to set the surround legs to assume a 4mm gap at each side of the controls access cover, centrally about the opening. See Fig. 19 below.

Fig. 19

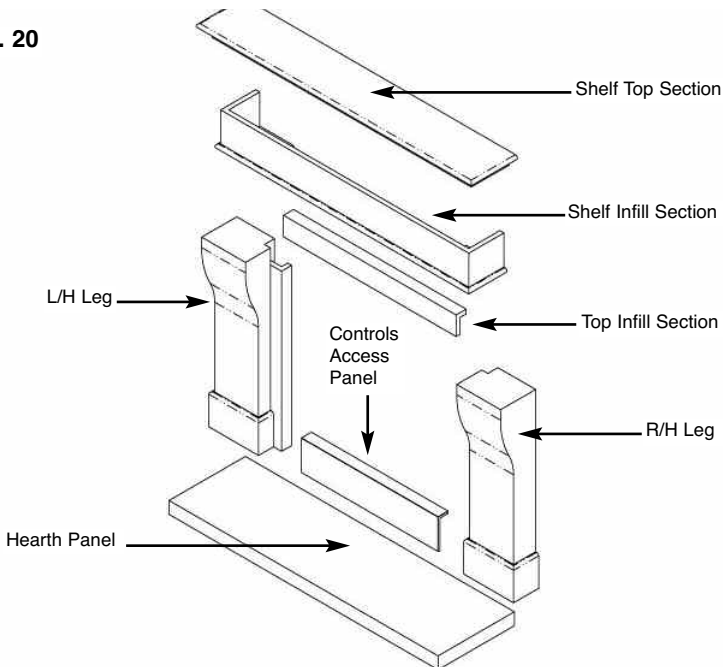


IF THIS DIMENSION IS NOT MAINTAINED BETWEEN THE LEGS IT WILL PREVENT THE GLASS FRAME ASSEMBLY BEING REMOVED FROM THE FIRE. PLEASE CHECK THE DIMENSION AT THE TOP AND BOTTOM

2.13 INSTALLING THE DA VINCI / DISTINCTION SURROUND

- 2.13.1 Unpack the surround from the wooden crate, check all parts are present as per Fig. 20 below and carefully store the components.
- 2.13.2 Set the hearth panel equally around the centre of the opening and ensure that it is level across it's width.
- 2.13.3 Position the legs equally about the center of the hearth panel and secure to the wall with suitable adhesive / fixings. Maintain 690mm between the legs as detailed in section 2.11, Fig. 19.
- 2.13.4 Fit the top infill section across the legs and secure with suitable adhesive.
- 2.13.5 Fit the shelf infill section and shelf top section to the legs and secure with suitable adhesive.
- 2.13.6 Fit the controls access panel to the metal mounting panel assembly and secure with 4 off M5 nuts. The M5 nuts are contained in the loose items pack with the fire. The slots on the metal mounting plate assembly allow some left / right adjustment and the four capscrows on the mechansism assembly allow some forward / backward adjustment to ensure the access panel can be correctly aligned with the surround.

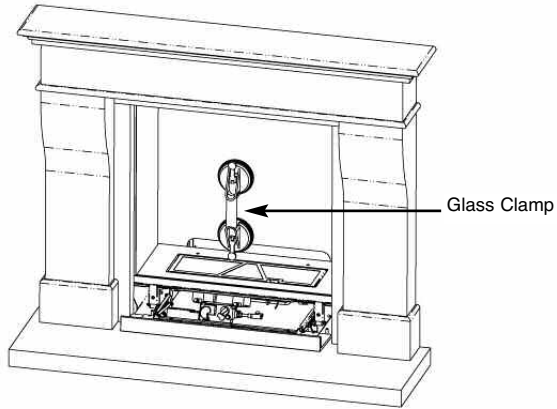
Fig. 20



2.14 REMOVING THE GLASS FRAME ASSEMBLY

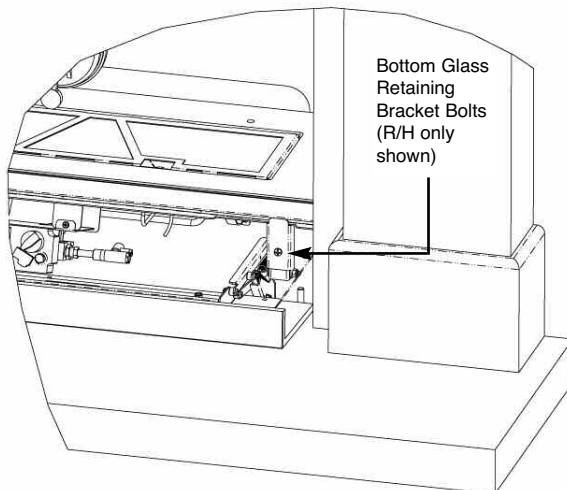
- 2.14.1 To remove the glass frame, the glass clamp as supplied in the loose items pack will be required. Secure the clamp to the glass panel as shown below in Fig. 21

Fig. 21



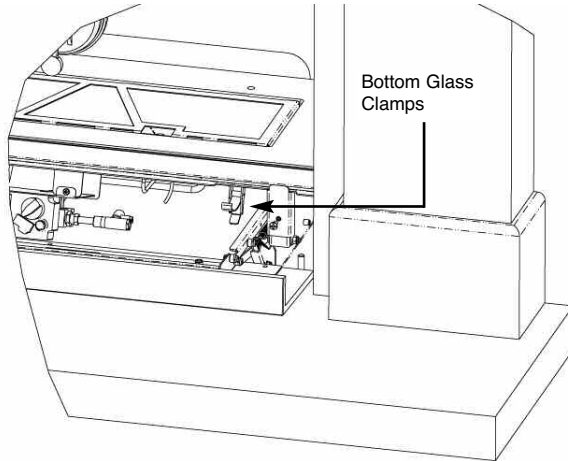
- 2.14.2 The glass frame is released by firstly unscrewing the retaining bolts of the bottom glass retaining brackets as shown below in Fig. 22

Fig. 22



- 2.14.3 Whilst holding the glass suction clamp, release the bottom glass clamps as indicated below in Fig. 23 by unlatching them down and forwards.

Fig. 23



- 2.14.4 Ensure the glass assembly is supported at all times during the following operations using the glass clamp. Pivot the glass retaining brackets forwards then drop down the glass panel until it clears the top of the surround recess, move entire glass frame assembly to the left and swing right hand edge of the glass frame assembly forwards until it clears the surround right hand leg. The glass frame assembly can then be removed by sliding to the right and then outwards. See Fig. 24, 25 & 26 below and overpage.

Fig. 24 Drop down the glass assembly to clear top of surround recess

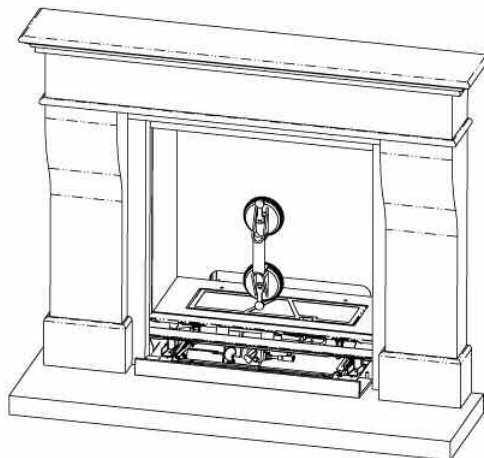


Fig. 25 Move entire glass assembly to the left

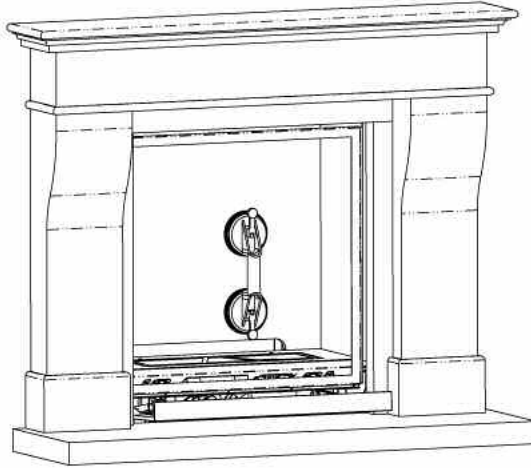
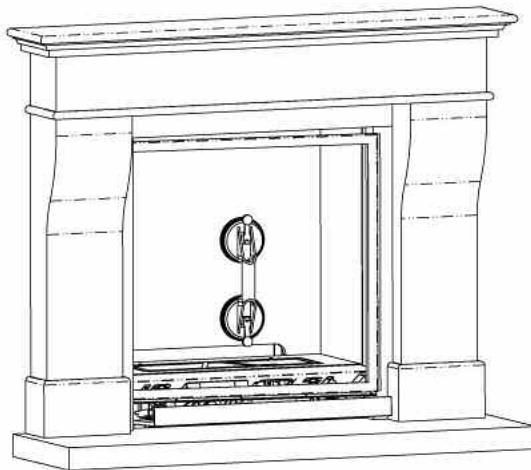


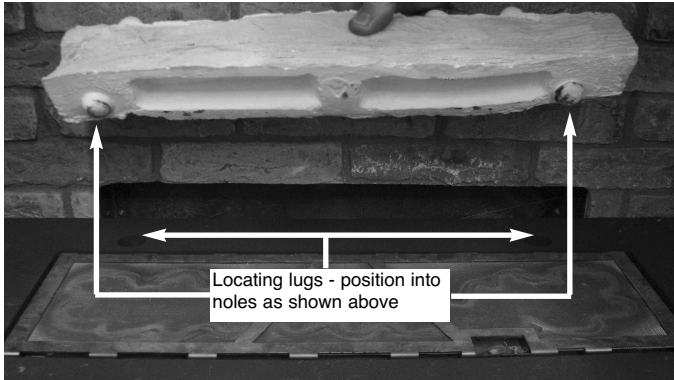
Fig. 26 Swing right hand edge of glass frame assembly forwards to clear R/H leg of surround. Glass frame assembly can then be removed.



3.1 FITTING THE FUEL-BED LOGSET

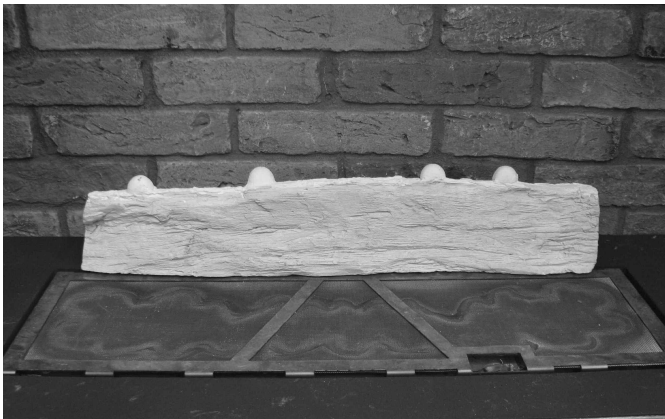
3.1.1 Log "A" must be fitted with the retaining lugs as shown below in Fig. 27 positioned on Log "A" into the locating holes in the fuel-bed base plate as shown below.

Fig. 27



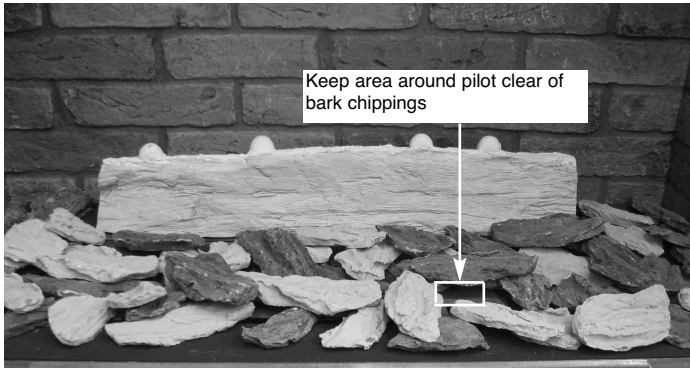
3.1.2 Log "A" correctly positioned as shown below in Fig. 28

Fig. 28



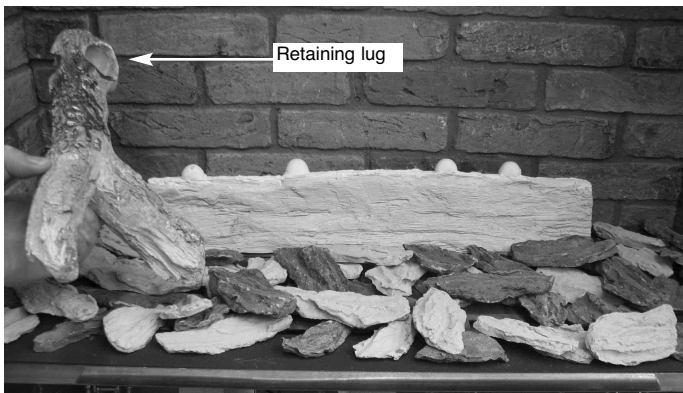
- 3.1.3 Place the bark chippings over the burner as shown below in Fig. 29, do not allow the bark chippings to cover the area around the pilot as indicated below.

Fig. 29



- 3.1.4 Position the retaining lug on Log "B" as shown below in Fig. 30, onto Log "A" as shown overpage in Fig. 31

Fig. 30



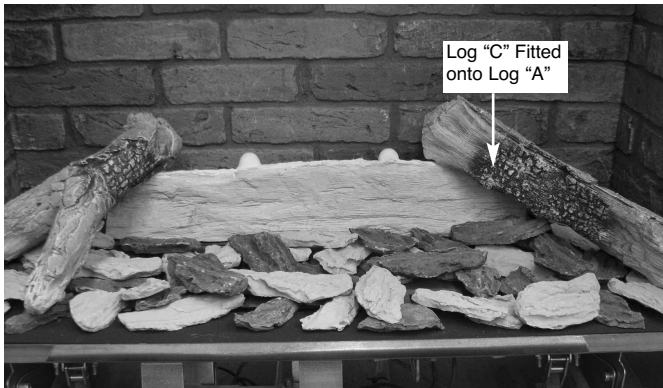
3.1.5 Fit Log "B" into position, using the locating lug that fits into left hand end of Log "A" as shown below in Fig. 31.

Fig. 31



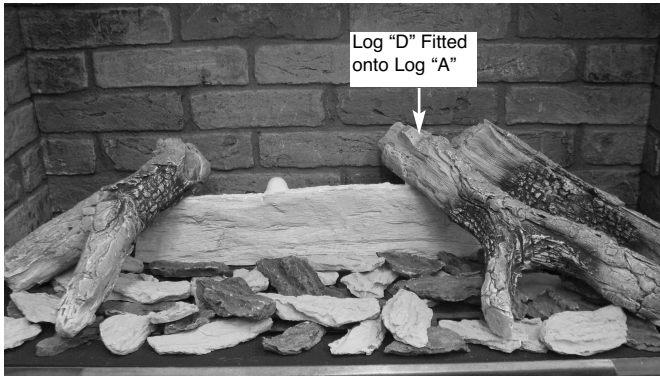
3.1.6 Fit Log "C" into position at right hand side of log "A" as shown below in Fig. 32, using the location lug in the right hand end of Log "A" as a guide for placement.

Fig. 32



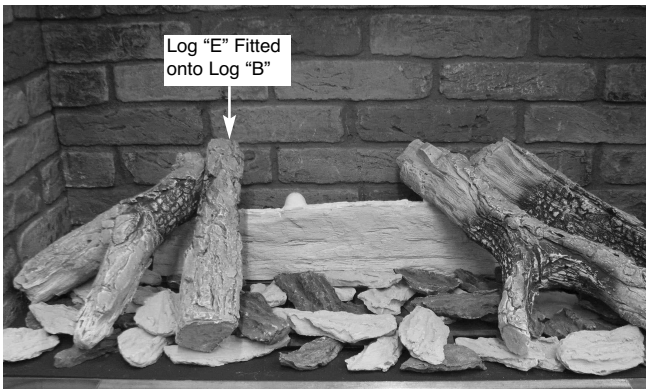
3.1.7 Fit Log "D" into position at right hand side of centre of the fuel-bed base log "A" as shown below in Fig. 33, using the locating lug in Log "A" as a guide for placement.

Fig. 33



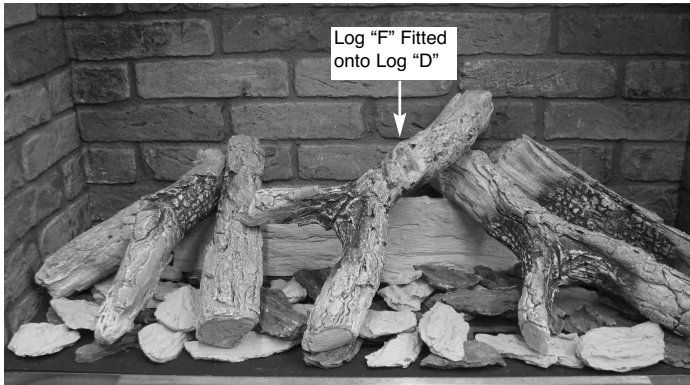
3.1.8 Fit Log "E" into position at left hand side of centre as shown below in Fig. 34, using the locating lug in Log "B" as a guide for placement.

Fig. 34



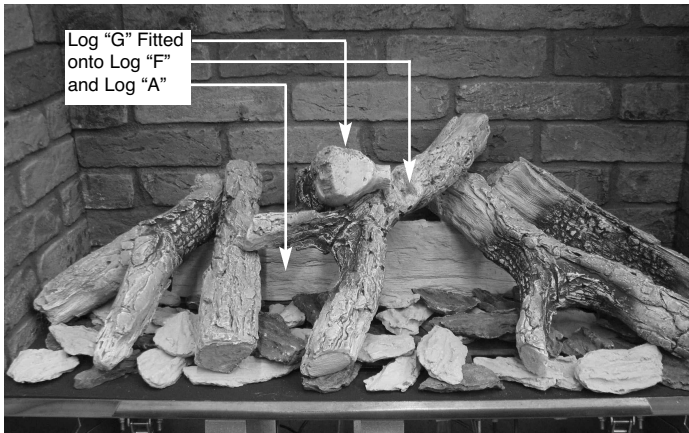
3.1.9 Fit Log "F" into position at the centre of the fuel-bed as shown below in Fig. 35, using the locating lug in Log "D" as a guide for placement.

Fig. 35



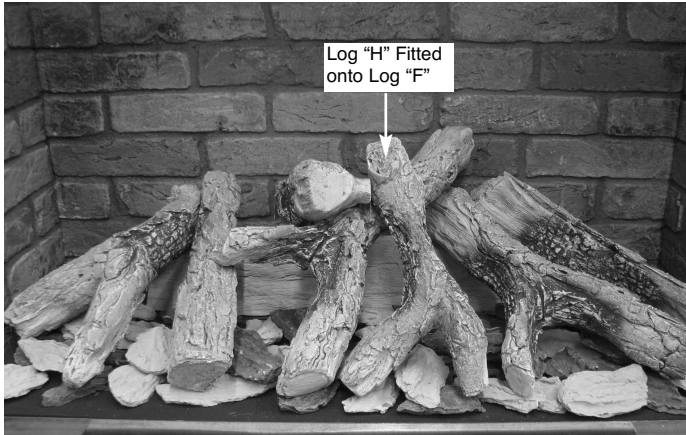
3.1.10 Fit Log "G" into position at the left hand centre of the fuel-bed as shown below in Fig. 36, using the locating lug in Log "F" and in Log "A" as a guide for placement.

Fig. 36



- 3.1.11 Fit Log “H” into position at the right hand centre of the fuel-bed as shown below in Fig. 37, using the retaining lug in Log “F” as a guide for placement. Finally, check pilot area to ensure no bark chippings have covered the pilot.

Fig. 37



Warning : Use only the logs supplied with the fire. When replacing the logs remove the old logs and discard them. Fit a complete set of logs of the correct type. Do not fit additional logs or any logs other than a genuine replacement set.

To ensure that the release of fibres from these R.C.F (Refractory Ceramic Fibre) articles is kept to a minimum, during installation and servicing we recommend that you use a HEPA filtered vacuum to remove any dust accumulated in and around the appliance before and after working on the appliance. When replacing these articles we recommend that the replaced items are not broken up, but are sealed within heavy duty polythene bags, clearly labelled as “RCF waste”. RCF waste is classed as a “stable”, non reactive hazardous waste and may be disposed of at a landfill licensed to accept such waste Protective clothing is not required when handling these articles, but we recommend you follow the normal hygiene rules of not smoking, eating or drinking in the work area, and always wash your hands before eating or drinking.

This appliance does not contain any component manufactured from asbestos or asbestos related products.

DO NOT REPLACE THE GLASS PANEL UNTIL THE CORRECT RESTRICTOR PLATE HAS BEEN FITTED TO THE FIRE AS DESCRIBED IN SECTION 3.3 OVERPAGE.

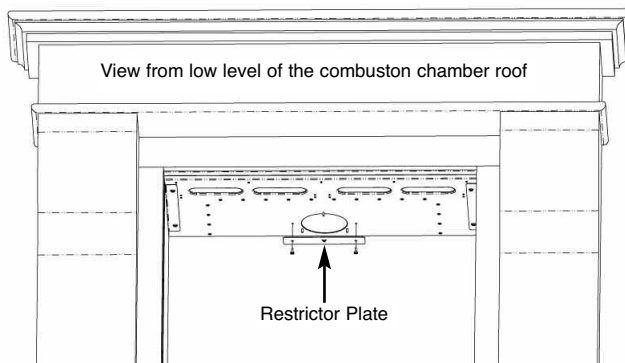
3.2 MAKING THE GAS CONNECTION & CHECKING FOR GAS TIGHTNESS

- 3.2.1 Before making the final gas connection, thoroughly purge the gas supply pipework to remove all foreign matter, otherwise serious damage may be caused to the gas control valve on the fire.
Failure to purge the gas supply will invalidate the guarantee.
- 3.2.2 The gas connection should be made to the appliance inlet elbow to using 8mm rigid tubing. It may be advantageous to remove the access panel as described in section 4.3.3 at this point to allow better access.
- 3.2.3 Remove the pressure test point screw from the inlet elbow and fit a manometer.
- 3.2.4 Turn on the main gas supply and carry out a gas tightness test.

3.3 FITTING THE CORRECT RESTRICTOR PLATE

- 3.3.1 If fitting this product in either an existing chimney or with a vertical flue configuration it will be necessary to fit one of the flue restrictor plates supplied. 3 off plates are supplied in the loose items pack, with securing screws. They are embossed with the letters A, B & C. No restrictor is required for horizontal flue applications
- 3.3.2 For flue heights up to 5 metres, please fit restrictor "A". For flue heights between 5 & 8 metres, please fit restrictor "B" and for flue heights of 8 metres and above, please fit restrictor "C".
- 3.3.3 To fit the restrictor, look on the underside of the combustion chamber, at the point of the flue exit and use the 2 holes adjacent to the main flue outlet duct to secure the selected restrictor plate as shown below in Fig. 38

Fig. 38

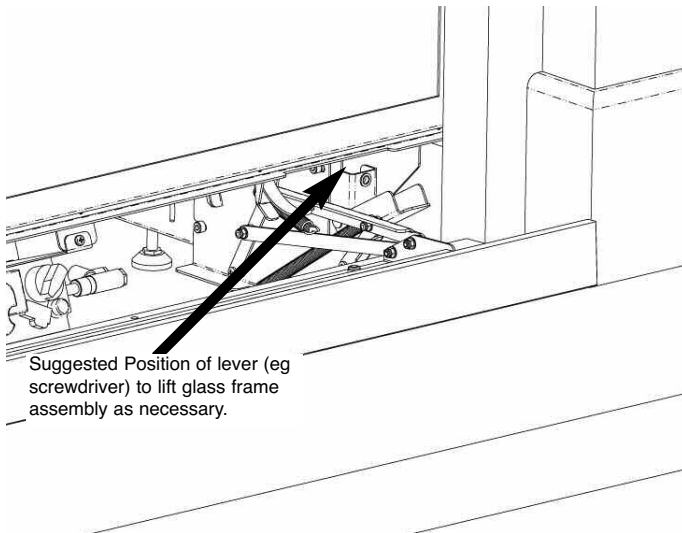


- 3.3.4 Re-fit the glass assembly as detailed in section 3.4

3.4 REPLACING THE GLASS ASSEMBLY

- 3.4.1 When replacing the glass assembly manouever into position by reversing the instruction for removal as detailed in section 2.14
- 3.4.2 Centre the assembly (use the legs on the surround as a guide) but take care not to damage the surround. When fitted correctly all the glass frame should be hidden behind the surround legs.
- 3.4.3 The frame is then located by a sharp upward motion and then immediately swing the bottom glass retaining brackets (as shown in Fig. 23, section 2.14) to stop the glass frame assembly dropping.
- 3.4.4 If the glass frame is not high enough to locate the bottom glass retaining brackets then a lever (e.g. screwdriver) can be used to **carefully** push the whole glass assembly into place, refer to Fig. 39 below for position of lever.
- 3.4.5 Finally, latch the glass clamps back into position and replace the screws on the bottom glass retaining brackets.

Fig. 39



3.5 LIGHTING THE APPLIANCE

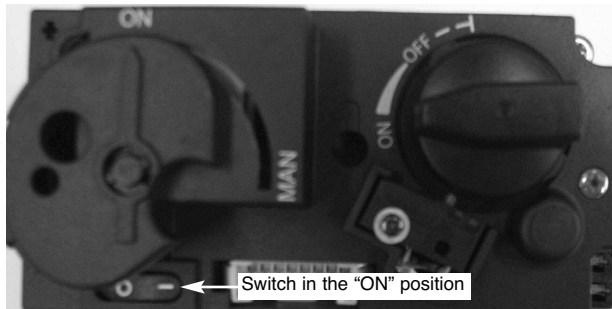
IMPORTANT : IF THE BURNER IS EXTINGUISHED FOR ANY REASON YOU MUST ENSURE THAT YOU WAIT A FULL FIVE MINUTES BEFORE ATTEMPTING TO RE-LIGHT THE FIRE.

The product is controlled by the remote handset supplied with the fire. Ensure the 9V battery as supplied in the loose items pack has been fitted to the fire before attempting to light it and the 4 off AA batteries have been fitted to the reciever unit, located next to the control valve at the L/H/S. There are 3 modes of operation of the product, "MANUAL mode", "TEMPERATURE mode" and "TIMER mode".

3.5.1 Operation of the Fire in "MANUAL" mode

- a) Locate the ON/OFF switch on the appliance, it is situated behind the controls access cover at the bottom of the fire. Ensure that the on / off switch on the valve is in the "ON" (1) position as shown below in Fig. 40

Fig. 40



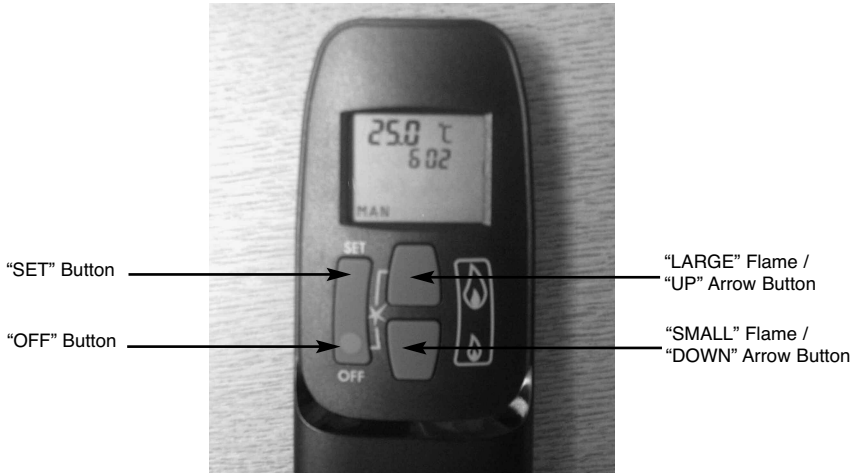
- b) The remote handset is now used to control all functions of the fire. To light the fire, press the "UP" arrow and "OFF" button simultaneously, as shown on Fig. 41 below. You will hear a click and the fire begins a 30 second ignition process. The pilot and main burner will light. The appliance is now in "MANUAL mode" which will be shown via the "MAN" graphic on the display of the handset as shown below in Fig. 41

Fig. 41



- c) With the product in “MANUAL” mode the fire can now be switched between HIGH rate heat input and LOW rate heat input by pressing the “DOWN” arrow on the handset. To reduce the flame height of the main burner incrementally, press the arrow momentarily. To reduce the heat input directly down to the minimum level, press and hold the “DOWN” arrow on the handset. NOTE : At the lowest point the fire will go to “STANDBY MODE”. In “STANDBY MODE” only the pilot remains lit. See Fig. 42 below

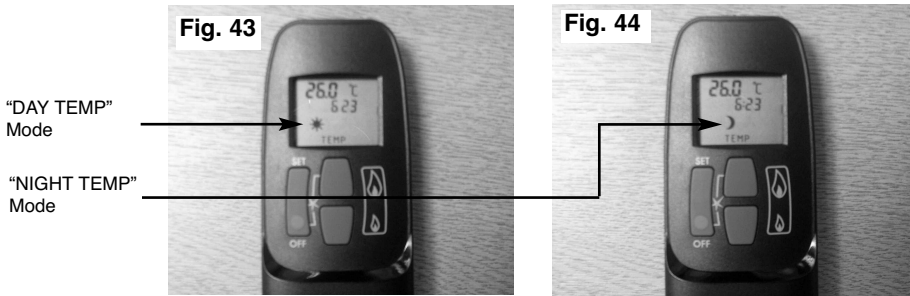
Fig. 42



- d) To turn the fire off, press the “OFF” button, this will extinguish all flames including the pilot.

3.5.2 Operation of the Fire in “TEMPERATURE” mode

- a) In order to change the mode of operation from “MANUAL” to “TEMPERATURE”, press the “SET” button, the fire will then change to either “DAY TEMP” (Fig. 43) mode or “NIGHT TEMP” mode (Fig 44). To alternate between the 2, press the “SET” button. **The display on the handset will show the current temperature in the room.**



NOTE : The “SET” button allows you to alternate between all modes of operation :- “MANUAL”, “DAY TEMP”, “NIGHT TEMP”, “TIMER” and back to “MANUAL”. Alternatively, pressing either the “UP” or “DOWN” arrow allows the unit to revert to “MANUAL” mode. **Fire must be in standby mode (pilot must be lit) for temperature mode to be used.**

- b) Within the “TEMPERATURE” mode there are options for either “DAY TEMP” or “NIGHT TEMP”. These temperatures can be set independently to allow a higher temperature to be maintained at night than during the day, or if setting the same temperature for day and night the fire will compensate for the generally cooler evening temperatures and automatically increase the heat input level accordingly.
- c) To set the temperature, ensure the handset is in “TEMPERATURE” mode and then press the “SET” button until the “TEMP” display flashes then let go. Proceed to set the desired temperature by pressing the “UP” (large flame) or “DOWN” (small flame) arrows as necessary, then press “OFF” to complete the process.
- NOTE : Minimum temperature is 5°C, Maximum temperature is 30°C, or minimum 41F to maximum 86F when in Fahrenheit mode.
- d) Press the “OFF” button to stop the display flashing or wait to return to “TEMPERATURE” mode. NOTE : If you set a temperature below the current room temperature the fire will switch to standby mode (pilot burner only) until the room has cooled to the temperature you have set on the handset display.
- e) If you would like the “NIGHT TEMP” to turn the fire off then decrease the temperature until [----] is displayed.

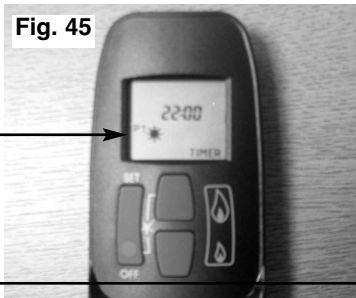
3.5.3 Operation of the Fire in “TIMER” mode

- a) In order to change the mode of operation from “MANUAL” to “TIMER”, press the “SET” button, the fire will then alternate between the settings until the “TIMER” mode is displayed.

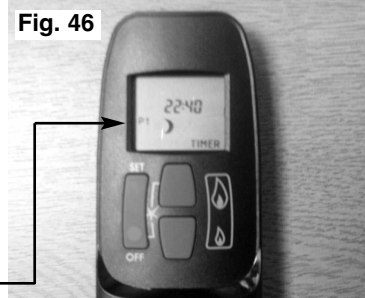
NOTE : The “SET” button allows you to alternate between all modes of operation :- “MANUAL”, “DAY TEMP”, “NIGHT TEMP”, “TIMER” and back to “MANUAL”. Alternatively, pressing either the “UP” or “DOWN” arrow allows the unit to revert to “MANUAL” mode. **Fire must be in standby mode (pilot must be lit) for temperature mode to be used.**

- b) Within the “TIMER” setting mode there are two programmable settings you can make over a 24 hour period, namely P1 and P2. To set the timer, ensure the handset is in “TIMER” mode as detailed in section a) above.
- c) To set the P1 timed start setting, press and hold the “SET” button until the P1 (sun symbol is displayed as per Fig. 45 below) and the time flashes. Set the hour by pressing the “UP” (large flame) and set the minutes (in ten minute increments) by pressing the “DOWN” (small flame) as necessary, then press “OFF” button to complete the process. Repeat for the P1 (moon symbol is displayed as per Fig. 46 below) Set the hour by pressing the “UP” (large flame) and set the minutes (in ten minute increments) by pressing the “DOWN” (small flame) as necessary, then press “OFF” button to complete the process.

P1 with “Sun”
symbol
illuminated



P1 with
“Moon”
symbol
illuminated



- d) To set the P2 timed setting, press the “SET” button until the “TIMER” mode is displayed. Hold the “SET” button until the display flashes the current time for P1. Press the “SET” button again to scroll past the setting for P1 (sun) and P1 (moon). The time should now be flashing on the handset. Set the hour by pressing the “UP” (large flame) and set the minutes (in ten minute increments) by pressing the “DOWN” (small flame) as necessary, then press “OFF” button to complete the process.

3.5.4 Low Battery Signal

- a) When the battery in the handset needs replacing, "BATT" will be displayed on the handset.
- b) Remove the cover on the rear of the handset and replace the 9V battery as necessary.

3.5.5 To Set the Time on the Remote Handset

- a) Simultaneously press the "UP" (large flame) arrow and "DOWN" (small flame) arrow buttons on the remote handset.
- b) Press the "UP" (large flame) arrow to set the hour and the "DOWN" (small flame) arrow to set the minutes.

3.5.6 To Set the °C / 24 Hour or °F / 12 Hour Clock

- a) Press and hold the "OFF" and the "DOWN" (small flame) arrow buttons on the handset simultaneously until the display changes from °C to °F and vice versa

3.6 FITTING THE HANDSET WALL BRACKET

- 3.6.1 The wall bracket is supplied in the loose items pack and is optional to fit.
- 3.6.2 If fitting the wall bracket, **please be advised that the thermostatic sensor is contained within the handset itself, so the position of the wall bracket will therefore be the position of temperature measurement within the room.** To fit, position as necessary, mark hole positions, drill and secure with fixings provided.

3.7 INSTRUCTING THE USER / PRODUCT HANDOVER

- 3.7.1 Instruct the user on the operation of the fire and the handset.
- 3.7.2 Hand the glass clamp over and advise the customer to store it in a safe place.

SECTION 4 MAINTENANCE

Servicing Notes

Servicing should be carried out annually by a competent person such as a GAS SAFE registered engineer. It is a condition of BFM Europe's lifetime guarantee scheme that this is carried out by a competent person i.e a GAS SAFE registered Engineer in accordance with these servicing notes, and the pilot must also be changed as a requirement of the guarantee.

The condition of the logs should be checked and if necessary the whole set should be replaced with a genuine replacement set.

After any servicing work a gas tightness check must always be carried out.

During the annual service, the flue pipes should be inspected and replaced as necessary.

4.1 Removing the burner assembly from the fire.

4.1.1 Isolate the gas supply.

4.1.2 Remove the glass panel assembly as shown in section 2.13

4.1.4 Remove the log set and loose bark chippings from the combustion chamber base, taking care not to damage the logs. Remove the retaining pegs from the ceramic logs.

4.1.5 Remove the fibre base panel that surrounds the burner, using a flat, thin object such as a steel rule under the front edge to lever it upwards.

4.1.6 Remove the 6 off screws that retain the ceramic support and lift it clear.

4.1.7 Remove the 4 off burner retaining screws, and the injector / injector supply pipe.

4.1.8 Remove the injector retaining screw from the venturi, the burner can then be lifted clear.

4.1.9 Replace in reverse order and carry out a gas tightness test.

4.2 Removing the Injector

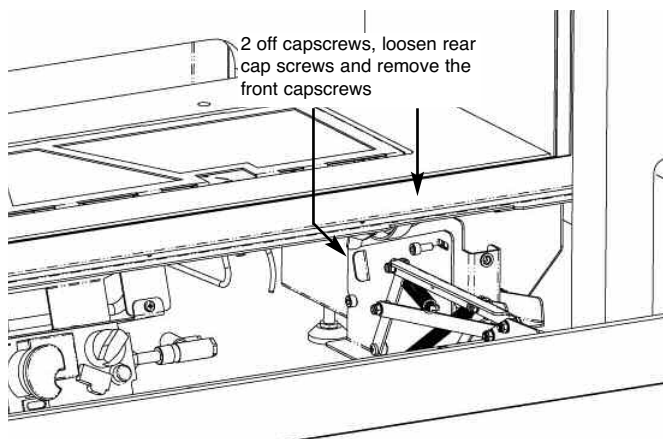
4.2.1 Isolate the gas supply.

- 4.2.1 Remove the burner, as detailed in section 4.1
- 4.2.2 Loosen the pipe connected to the injector and remove the injector.
- 4.2.3 Replace in reverse order and carry out a gas tightness test.

4.3 Removing the Gas Control Valve / Controls Access Cover

- 4.3.1 Open the controls access cover at the bottom of the fire.
- 4.3.2 Isolate the gas supply.
- 4.3.3 It may be advantageous to remove the controls access cover at this point. To do this, firstly loosen the 2 off rear cap screws and remove the front 2 off cap screws. This will enable the entire mechanism to be removed in one assembly, with the finished controls access cover still in position, see Fig. 47 below. Note : R/H/S shown only, repeat for L/H/S.

Fig. 47



- 4.3.4 Loosen the pilot, main and inlet pipes, plus the thermocouple connection on the valve.
- 4.3.5 Remove the 2 screws which hold the gas control valve mounting plate to the underside of the combustion chamber.
- 4.3.6 Lift the gas valve clear and replace in reverse order and carry out a gas tightness test.
- 4.3.7 Carefully replace the controls cover assembly.

4.4 Removing the Ultrasonic receiver.

- 4.4.1 Open the controls access cover at the bottom of the fire.
- 4.4.2 Lift the ultrasonic receiver out of its retaining bracket at the left hand side of the gas control valve
- 4.4.3 Disconnect the control wires.
- 4.4.4 Re-fit the new receiver and re-connect the control wires in reverse order, replace the receiver unit into its cradle at the left hand side of the gas control valve.

4.5 Removing the Pilot Assembly

- 4.5.1 Isolate the gas supply
- 4.5.2 It may be advantageous to remove the controls access cover at this point. To do this, firstly loosen the 2 off rear capscrews and remove the front 2 off capscrews. This will enable the entire mechanism to be removed in one assembly, with the finished controls access cover still in position, see Fig. 46 on previous page for further details,
- 4.5.3 Loosen the pilot pipe, disconnect the ignition lead from the electrode, and remove the thermocouple from the pilot body.
- 4.5.4 Remove the two fixing screws which secure the pilot assembly to the pilot mounting panel in the base of the combustion chamber.
- 4.5.5 Remove the pilot assembly.
- 4.5.6 Re-assemble with a new pilot assembly, and gasket, ensuring that an even seal around the pilot assembly is obtained. Carry out a gas tightness test after re-assembly.

4.6 Replacing the Batteries in the Ultrasonic Receiver

- 4.6.1 Remove the ultrasonic receiver as described in section 4.4
- 4.6.2 Remove the rear cover of the ultrasonic receiver and remove the 4 off AA sized batteries, replace with new item and refit in reverse order.

4.7 Replacing the Batteries in the Handset

- 4.7.1 Remove and re-fit the new 9V battery by removing the cover on the back of the handset.

4.8 PARTS SHORTLIST

Gas control valve	B-92200
Thermostatic handset / reciever unit	B-126400
Glass panel	B-126350
Complete log set	B-134060
Log "A" only	B-134070
Log "B" only	B-134080
Log "C" only	B-134090
Log "D" only	B-134100
Log "E" only	B-134110
Log "F" only	B-134120
Log "G" only	B-134130
Log "H" only	B-134140
Spare bag of bark chippings	B-123990
Main burner injector	B-127620
Glass Suction Clamp	B-126710

SECTION FIVE - USER INSTRUCTIONS

5.1 INSTALLATION INFORMATION

CONDITIONS OF INSTALLATION

It is the law that all gas appliances are installed only by a competent (e.g. Registered) Installer, in accordance with the installation instructions and the Gas Safety (Installation and Use) Regulations 1998. Failure to install appliances correctly could lead to prosecution. It is in your own interest and that of safety to comply with the law.

The fire must not be fitted below a combustible shelf.

This appliance is a room sealed appliance so no purpose made additional ventilation is required for this appliance when installed in G.B. regardless of the flue configuration employed. When installed in I.E. please consult document I.S. 813 : 1996 Domestic Gas Installation which is issued by the National Standards Authority of Ireland. Any purpose made ventilation should be checked periodically to ensure that it is free from obstruction.

If the chimney or flue has been previously used by appliances burning fuels other than gas they must be swept prior to the installation of this fire.

If this appliance is fitted directly on to a wall without the use of a BFM Europe supplied fireplace or surround, soft wall coverings such as wallpaper, blown vinyl etc. could be affected by the heat and hot convection air and may discolour or scorch. This should be considered when installing or decorating.

The Model number of this appliance is as stated on the rating plate affixed to the control panel of the fire and the appliance is manufactured by:-

BFM Europe Ltd
Trentham Lakes
Stoke on Trent
ST4 4TJ

ABOUT YOUR NEW DA VINCI / DISTINCTION GAS FIRE

The BFM Europe Da Vinci / Distinction log effect gas fire incorporates a unique and highly developed fuel bed which gives the realism of a loose log layout combined with realistic flames and glow. The use of durable ceramic material in the construction of the fuelbed components ensures long and trouble free operation.

Please take the time to fully read these instructions as you will then be able to obtain the most effective and safe operation of your fire.

IMPORTANT SAFETY INFORMATION

WARNING

This appliance is a heating appliance and as with all heating appliances a fireguard should be used for the protection of children, the elderly and infirm. Fireguards should conform to B.S. 8423 : 2002 (Fireguards for use with gas heating appliances).

It is important that this appliance is serviced at least once a year by a GAS SAFE registered engineer. We recommend that during the annual service, replacement of the pilot is carried out. **This is a condition of the manufacturers guarantee.**

Any debris or deposits should be removed from the fuel bed from time to time. This may be carried out by referring to the cleaning section as described later in this book. Only the correct number and type of logs must be used and only complete and genuine replacement sets must be used.

Always keep furniture and combustible materials well clear of the fire and never dry clothing or items either on or near to the fire. Never use aerosols or flammable cleaning products near to the fire when it is in use.

The ceramic fuel bed remains hot for a considerable period after use and sufficient time should be allowed for the fire to cool before cleaning etc.

IMPORTANT : DO NOT UNDER ANY CIRCUMSTANCES USE THIS FIRE IF THE GLASS PANEL IS BROKEN, CRACKED OR MISSING.

5.2 LIGHTING THE APPLIANCE

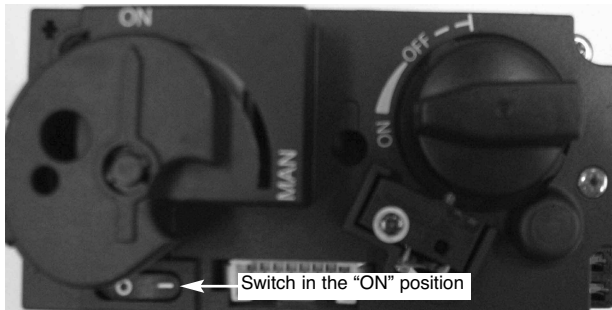
IMPORTANT : IF THE BURNER IS EXTINGUISHED FOR ANY REASON YOU MUST ENSURE THAT YOU WAIT A FULL FIVE MINUTES BEFORE ATTEMPTING TO RE-LIGHT THE FIRE.

The product is controlled by the remote handset supplied with the fire. Ensure the 9V battery as supplied in the loose items pack has been fitted to the fire before attempting to light it. There are 3 modes of operation of the product, “MANUAL mode”, “TEMPERATURE mode” and “TIMER mode”.

5.2.1 Operation of the Fire in “MANUAL” mode

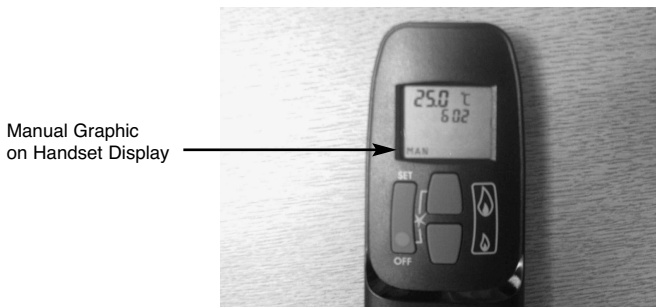
- a) Locate the ON/OFF switch on the appliance, it is situated behind the controls access cover at the bottom of the fire. Ensure that the on / off switch on the valve is in the “ON” (1) position as shown below in Fig. 1

Fig. 1



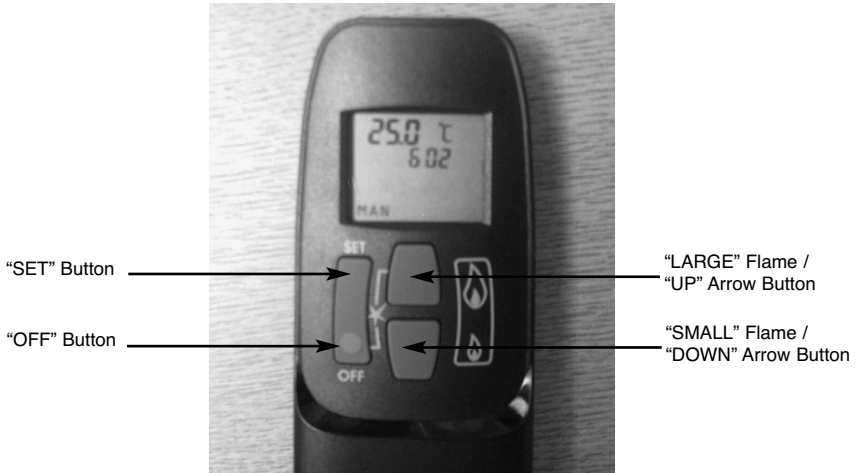
- b) The remote handset is now used to control all functions of the fire. To light the fire, press the “UP” arrow and and “OFF” button simultaneously. as shown on Fig. 2 below. You will hear a click and the fire begins a 30 second ignition process. The pilot and main burner will light. The appliance is now in “MANUAL mode” which will be shown via the “MAN” graphic on the display of the handset as shown below in Fig. 2

Fig. 2



- c) With the product in “MANUAL” mode the fire can now be switched between HIGH rate heat input and LOW rate heat input by pressing the “DOWN” arrow on the handset. To reduce the flame height of the main burner incrementally, press the arrow momentarily. To reduce the heat input directly down to the minimum level, press and hold the “DOWN” arrow on the handset. NOTE : At the lowest point the fire will go to “STANDBY MODE”. In “STANDBY MODE” only the pilot remains lit. See Fig. 3 below

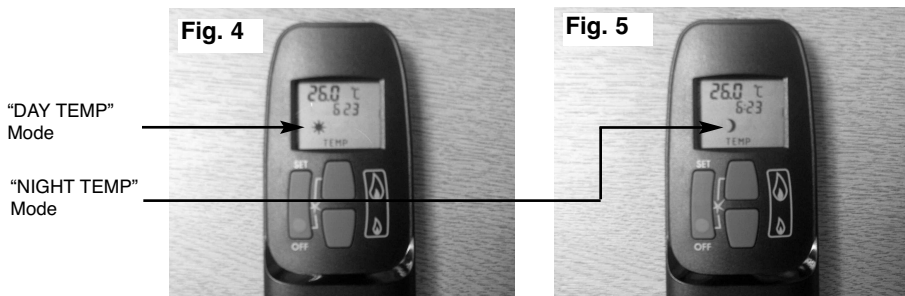
Fig. 3



- d) To turn the fire off, press the “OFF” button, this will extinguish all flames including the pilot.

5.2.2 Operation of the Fire in “TEMPERATURE” mode

- a) In order to change the mode of operation from “MANUAL” to “TEMPERATURE”, press the “SET” button, the fire will then change to either “DAY TEMP” (Fig. 4) mode or “NIGHT TEMP” mode (Fig 5). To alternate between the 2, press the “SET” button. **The display on the handset will show the current temperature in the room.**



NOTE : The “SET” button allows you to alternate between all modes of operation :- “MANUAL”, “DAY TEMP”, “NIGHT TEMP”, “TIMER” and back to “MANUAL”. Alternatively, pressing either the “UP” or “DOWN” arrow allows the unit to revert to “MANUAL” mode.

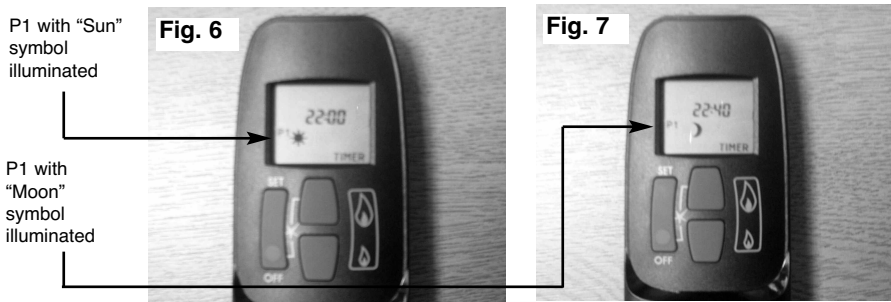
- b) Within the “TEMPERATURE” mode there are options for either “DAY TEMP” or “NIGHT TEMP”. These temperatures can be set independently to allow a higher temperature to be maintained at night than during the day, or if setting the same temperature for day and night the fire will compensate for the generally cooler evening temperatures and automatically increase the heat input level accordingly.
- c) To set the temperature, ensure the handset is in “TEMPERATURE” mode and then press the “SET” button until the “TEMP” display flashes then let go. Proceed to set the desired temperature by pressing the “UP” (large flame) or “DOWN” (small flame) arrows as necessary, then press “OFF” to complete the process.
- NOTE : Minimum temperature is 5°C, Maximum temperature is 30°C, or minimum 41F to maximum 86F when in Fahrenheit mode.
- d) Press the “OFF” button to stop the display flashing or wait to return to “TEMPERATURE” mode. NOTE : If you set a temperature below the current room temperature the fire will switch to standby mode (pilot burner only) until the room has cooled to the temperature you have set on the handset display.
- e) If you would like the “NIGHT TEMP” to turn the fire off then decrease the temperature until [----] is displayed.

5.2.3 Operation of the Fire in “TIMER” mode

- a) In order to change the mode of operation from “MANUAL” to “TIMER”, press the “SET” button, the fire will then alternate between the settings until the “TIMER” mode is displayed.

NOTE : The “SET” button allows you to alternate between all modes of operation :- “MANUAL”, “DAY TEMP”, “NIGHT TEMP”, “TIMER” and back to “MANUAL”. Alternatively, pressing either the “UP” or “DOWN” arrow allows the unit to revert to “MANUAL” mode.

- b) Within the “TIMER” setting mode there are two programmable settings you can make over a 24 hour period, namely P1 and P2. To set the timer, ensure the handset is in “TIMER” mode as detailed in section a) above.
- c) To set the P1 timed start setting, press and hold the “SET” button until the P1 (sun symbol is displayed as per Fig. 6 below) and the time flashes. Set the hour by pressing the “UP” (large flame) and set the minutes (in ten minute increments) by pressing the “DOWN” (small flame) as necessary, then press “OFF” button to complete the process. Repeat for the P1 (moon symbol is displayed as per Fig. 7 below) Set the hour by pressing the “UP” (large flame) and set the minutes (in ten minute increments) by pressing the “DOWN” (small flame) as necessary, then press “OFF” button to complete the process.



- d) To set the P2 timed setting, press the “SET” button until the “TIMER” mode is displayed. Hold the “SET” button until the display flashes the current time for P1. Press the “SET” button again to scroll past the setting for P1 (sun) and P1 (moon). The time should now be flashing on the handset. Set the hour by pressing the “UP” (large flame) and set the minutes (in ten minute increments) by pressing the “DOWN” (small flame) as necessary, then press “OFF” button to complete the process.

5.2.4 Low Battery Signal

- a) When the battery in the handset needs replacing, "BATT" will be displayed on the handset.
- b) Remove the cover on the rear of the handset and replace the 9V battery as necessary.

5.2.5 To Set the Time on the Remote Handset

- a) Simultaneously press the "UP" (large flame) arrow and "DOWN" (small flame) arrow buttons on the remote handset.
- b) Press the "UP" (large flame) arrow to set the hour and the "DOWN" (small flame) arrow to set the minutes.

5.2.6 To Set the °C / 24 Hour or °F / 12 Hour Clock

- a) Press and hold the "OFF" and the "DOWN" (small flame) arrow buttons on the handset simultaneously until the display changes from °C to °F and vice versa

5.3 CLEANING - WARNING

Before attempting any cleaning operation ensure that the fire has been allowed to fully cool.

5.3.1 Cleaning the Painted Parts

The painted parts should only be cleaned using a clean, damp cloth. **Abrasive cleaners, chemical cleaning agents or any type of polish must never be used as damage to the finish may result.**

5.3.2 Cleaning the Fuel-bed

We do not recommend cleaning of logs or fuelbed components as these are fragile and damage may result. **None of these parts must be washed or exposed to any cleaning agents or water.** Any damaged parts must be replaced by contacting your dealer or telephoning BFM Europe on the number stated on the rear cover of this book. Logs or bark chippings must only be replaced with a complete and genuine replacement set and the fire must never be run with the wrong number or damaged logs or bark chippings The fuelbed must be carefully re-assembled as stated in section 5.4

5.3.3 Cleaning the Glass Panel

To clean the glass panel, please remove it from the product as described below and overpage in section 5.3.4 Use a clean damp cloth and ceramic glass cleaner to remove any stains or deposits from the glass panel. Do not use scouring

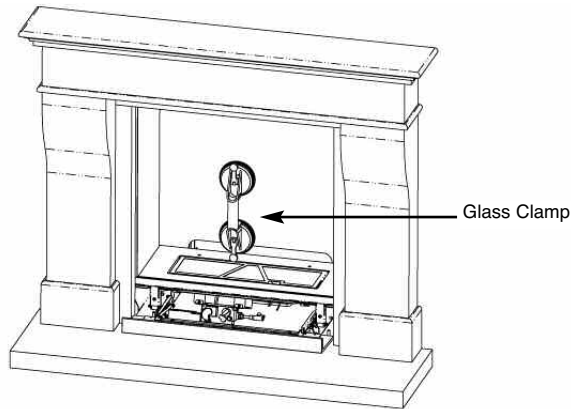
pads as this may scratch the surface finish of the glass panel.

PLEASE NOTE :- The glass will require cleaning periodically. Condensation produced by the products of combustion will create marks on the inside face of the glass panel.

5.3.4 Removing the Glass Assembly - Ensure the fire is cool before attempting to remove the glass panel

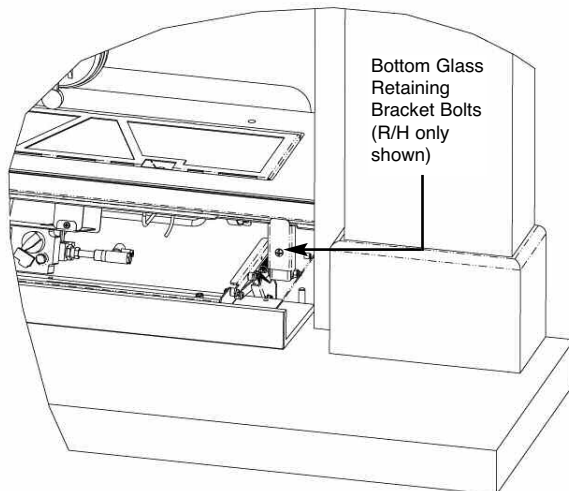
5.3.4.1 To remove the glass frame, the glass clamp as supplied in the loose items pack will be required. Secure the clamp to the glass panel as shown below in Fig. 8

Fig. 8



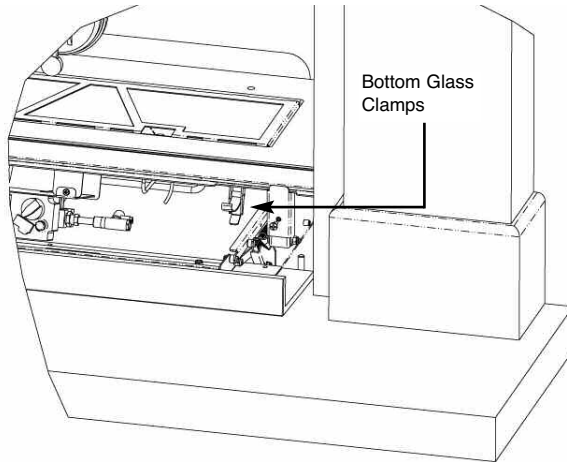
5.3.4.2 The glass frame is released by firstly unscrewing the retaining bolts of the bottom glass retaining brackets as shown below in Fig. 9

Fig. 9



- 5.3.4.3 Whilst holding the glass suction clamp, release the bottom glass clamps as indicated below in Fig. 10 by unlatching them down and forwards.

Fig. 10



- 5.3.4.4 Ensure the glass assembly is supported at all times during the following operations using the glass clamp. Pivot the glass retaining brackets forwards then drop down the glass panel until it clears the top of the surround recess, move entire glass frame assembly to the left and swing right hand edge of the glass frame assembly forwards until it clears the surround right hand leg. The glass frame assembly can then be removed by sliding to the right and then outwards. See Fig. 11, 12 & 13 below and overpage.

Fig. 11 Drop down the glass assembly to clear top of surround recess

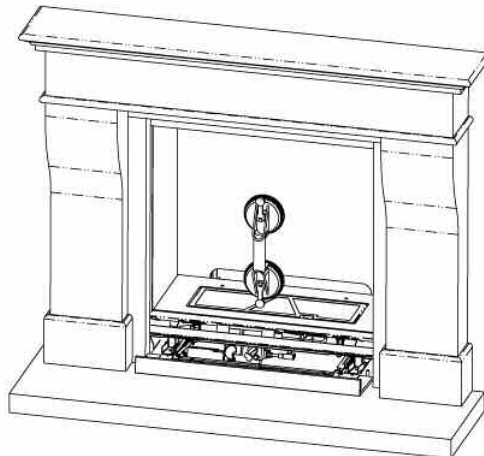


Fig. 12 Move entire glass assembly to the left

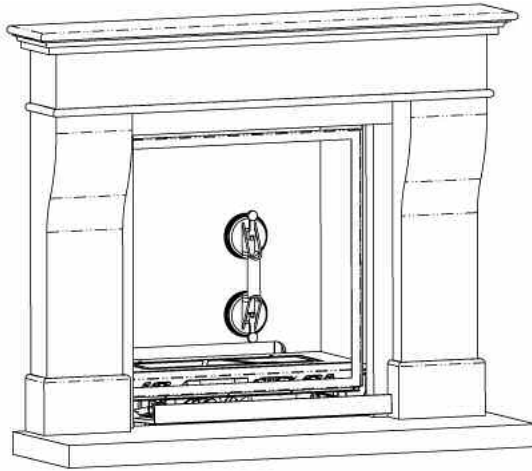
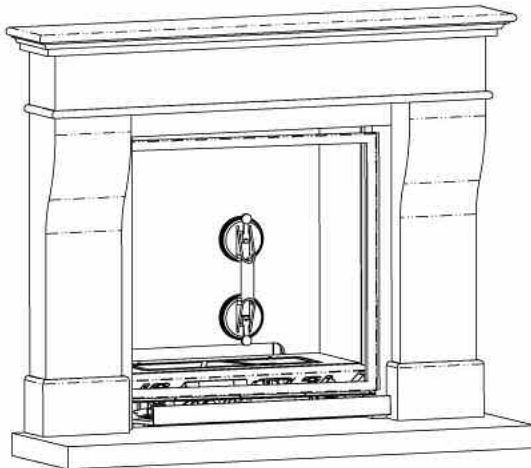


Fig. 13 Swing right hand edge of glass frame assembly forwards to clear R/H leg of surround. Glass frame assembly can then be removed.

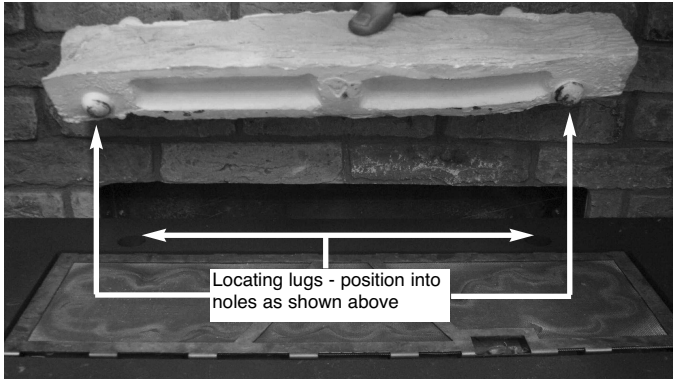


5.4 REMOVAL AND REPLACING THE FUEL-BED LOGSET

Remove the glass panel as shown in section 5.3.4 before attempting to remove or replace the logs.

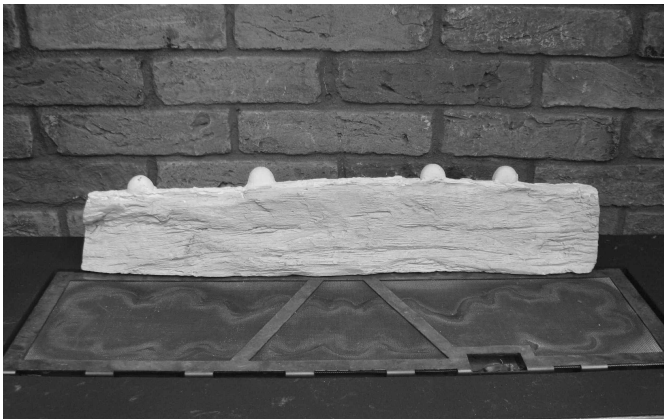
- 5.4.1 Log "A" must be fitted with the retaining lugs as shown below in Fig. 14 positioned on Log "A" into the locating holes in the fuel-bed base plate as shown below.

Fig. 14



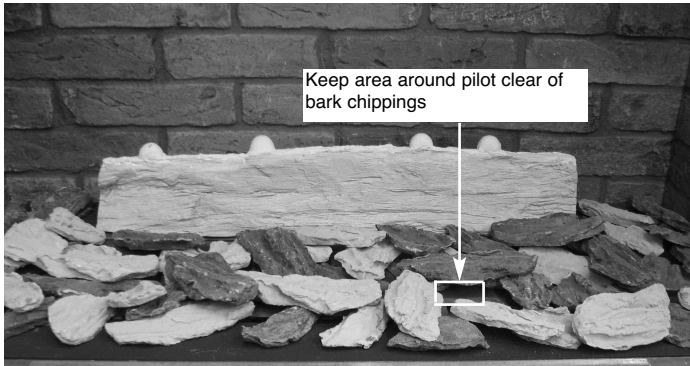
- 5.4.2 Log "A" correctly positioned as shown below in Fig. 15

Fig. 15



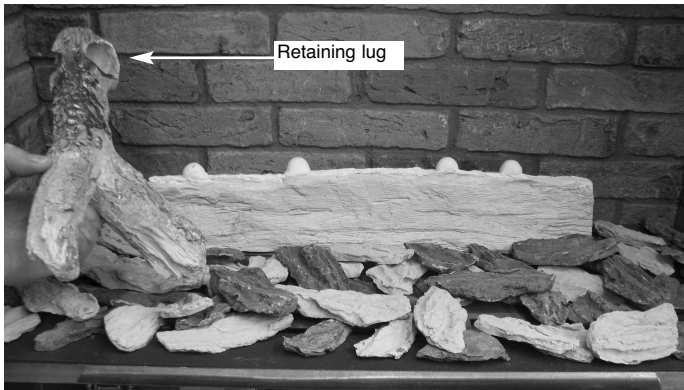
5.4.3 Place the bark chippings over the burner as shown below in Fig. 16, do not allow the bark chippings to cover the area around the pilot as indicated below.

Fig. 16



5.4.4 Position the retaining lug on Log "B" as shown below in Fig. 17, onto Log "A" as shown overpage in Fig. 18

Fig. 17



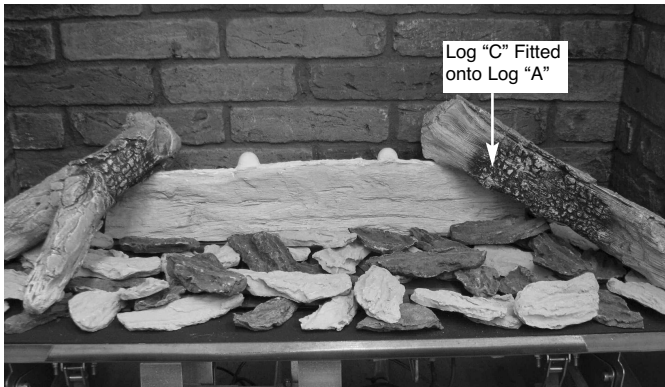
5.4.5 Fit Log "B" into position, using the locating lug that fits into left hand end of Log "A" as shown below in Fig. 18.

Fig. 18



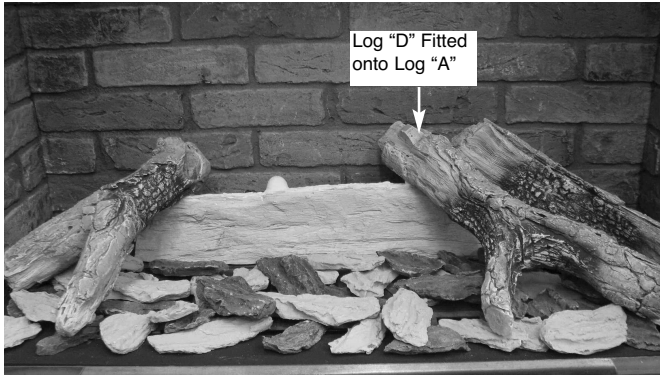
5.4.6 Fit Log "C" into position at right hand side of log "A" as shown below in Fig. 19, using the location lug in the right hand end of Log "A" as a guide for placement.

Fig. 19



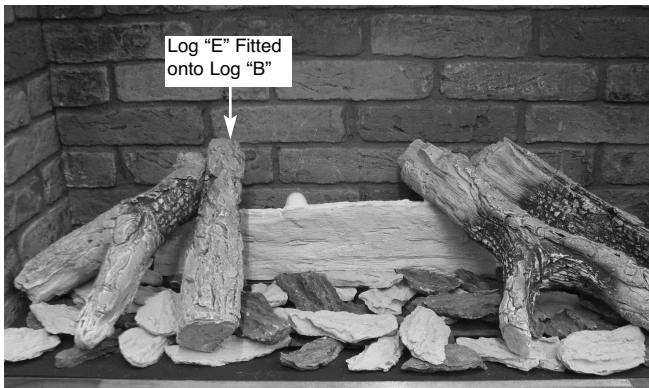
5.4.7 Fit Log "D" into position at right hand side of centre of the fuel-bed base log "A" as shown below in Fig. 20, using the locating lug in Log "A" as a guide for placement.

Fig. 20



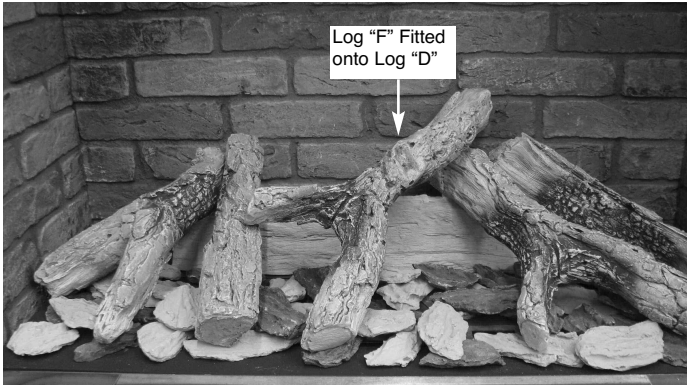
5.4.8 Fit Log "E" into position at left hand side of centre as shown below in Fig. 21, using the locating lug in Log "B" as a guide for placement.

Fig. 21



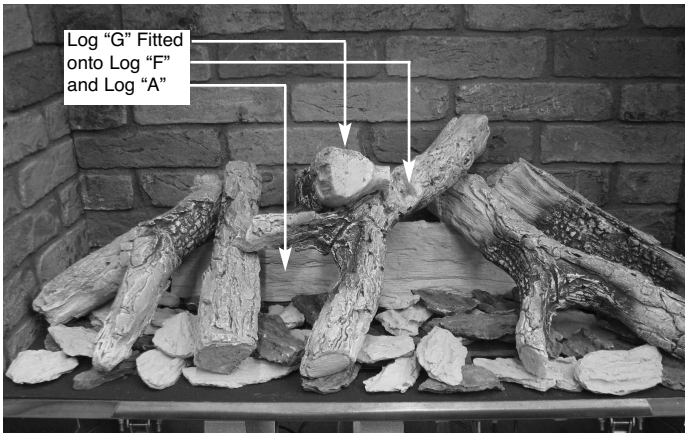
5.4.9 Fit Log "F" into position at the centre of the fuel-bed as shown below in Fig. 22, using the locating lug in Log "D" as a guide for placement.

Fig. 22



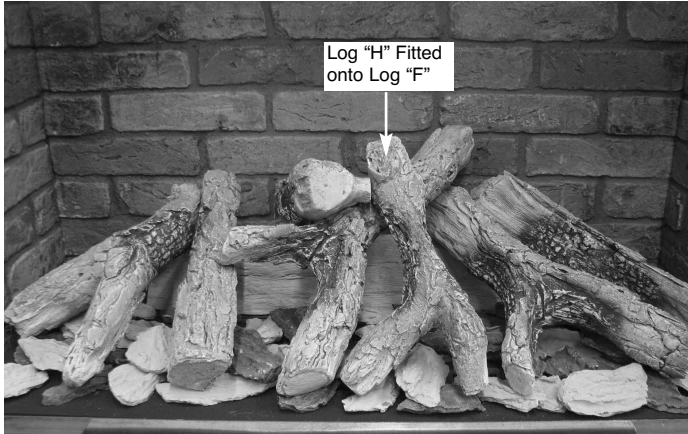
5.4.10 Fit Log "G" into position at the left hand centre of the fuel-bed as shown below in Fig. 23, using the locating lug in Log "F" and in Log "A" as a guide for placement.

Fig. 23



- 5.4.11 Fit Log "H" into position at the right hand centre of the fuel-bed as shown below in Fig. 24, using a retaining peg in Log "F" as a guide for placement. Finally, check pilot area to ensure no bark chippings have covered the pilot.

Fig. 24



Warning : Use only the logs supplied with the fire. When replacing the logs remove the old logs and discard them. Fit a complete set of logs of the correct type. Do not fit additional logs or any logs other than a genuine replacement set.

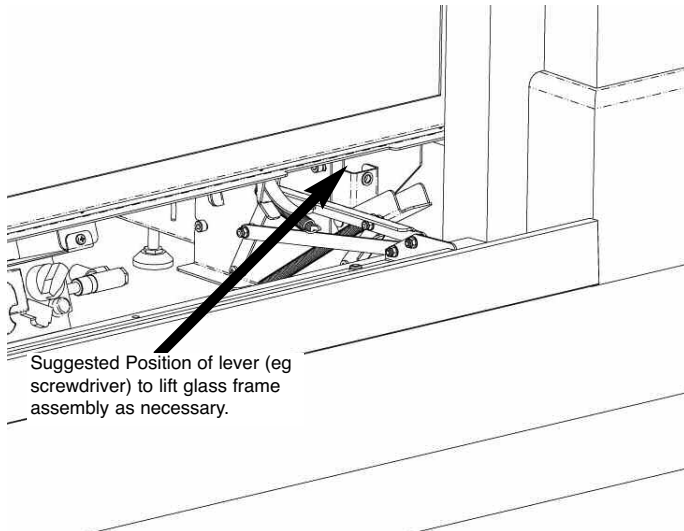
To ensure that the release of fibres from these R.C.F (Refractory Ceramic Fibre) articles is kept to a minimum, during installation and servicing we recommend that you use a HEPA filtered vacuum to remove any dust accumulated in and around the appliance before and after working on the appliance. When replacing these articles we recommend that the replaced items are not broken up, but are sealed within heavy duty polythene bags, clearly labelled as "RCF waste". RCF waste is classed as a "stable", non reactive hazardous waste and may be disposed of at a landfill licensed to accept such waste Protective clothing is not required when handling these articles, but we recommend you follow the normal hygiene rules of not smoking, eating or drinking in the work area, and always wash your hands before eating or drinking.

This appliance does not contain any component manufactured from asbestos or asbestos related products.

5.5 REPLACING THE GLASS ASSEMBLY

- 5.5.1 When replacing the glass assembly manouever into position by reversing the instruction for removal as detailed in section 2.14
- 5.5.2 Centre the assembly (use the legs on the surround as a guide) but take care not to damage the surround. When fitted correctly all the glass frame should be hidden behind the surround legs.
- 5.5.3 The frame is then located by a sharp upward motion and then immediately swing the bottom glass retaining brackets (as shown in Fig. 23, section 2.14) to stop the glass frame assembly dropping.
- 5.5.4 If the glass frame is not high enough to locate the bottom glass retaining brackets then a lever (e.g. screwdriver) can be used to **carefully** push the whole glass assembly into place, refer to Fig. 39 below for position of lever.
- 5.5.5 Finally, latch the glass clamps back into position and replace the screws on the bottom glass retaining brackets.

Fig. 25



5.6 USER REPLACEABLE PARTS

Complete log set	B-134060
Log "A" only	B-134070
Log "B" only	B-134080
Log "C" only	B-134090
Log "D" only	B-134100
Log "E" only	B-134110
Log "F" only	B-134120
Log "G" only	B-134130
Log "H" only	B-134140
Spare bag of bark chippings	B-123990
Glass Suction Clamp	B-126710

Due to our policy of continual improvement and development the exact accuracy of illustrations and descriptions contained in this book cannot be guaranteed

**Part No. B-129130
Issue 3**

BFMEurope
BRITISH FIRE MANUFACTURERS

BFM Europe Ltd.
Trentham Lakes
Stoke-on-Trent
Staffordshire
ST4 4TJ

www.bfm-europe.com

Telephone - General Enquiries :
Telephone - Service :

(01782) 339000
(0844) 7700169